

Standard Lift

(EN) Installation Manual
(DE) Montage Anleitung
(ES) Manual de instalación
(FR) Manuel de Montage

(IT) Manuale di installazione
(NL) Montagehandleiding
(PL) Instrukcja montażowa
(CS) Montážní návod

DOCO
door solutions

Standard Lift

English.....	3
Deutsch	8
Español.....	13
Français.....	18
Italiano	23
Nederlands	28
Polski	33
Česky	38
	43

Index

1. Terms and conditions.....	3
2. Symbols.....	3
3. General warnings.....	3
4. Safety requirements	3
5. Guidelines.....	4
6. Fixing material building.....	4
7. Trackset assembly	4
8. Panel assembly	4
9. Application Range	4
10. Handover	5
11. First use.....	5
12. Electric operator (optional)	5
13. Operator settings	5
14. Disassembly	5
15. Disposal.....	5
16. Maintenance / Warnings	6
17. Replacements of Parts	7
18. Fasteners and tools.....	43
19. Assembly.....	45

1. Terms and conditions

Our general conditions of delivery and payments are applicable on all our offers, agreements or subsequent revisions. A copy of our terms and conditions are available on request or can be downloaded from our website: www.doco-international.com

2. Symbols



Danger / Attention



Look / Check



Consult manual



Mandatory step



Optional step



Manual operation



Electrical operation



Chain hoist operation



Alternative step



Door Processing Document



Left + right

3. General warnings

This manual has been prepared for use by qualified personnel and therefore not by trainees or “do it yourselfers” In case of doubt about the assembly and/or maintenance, please contact DOCO International To avoid severe personal injury, carefully read and observe all indications and warnings in this manual.

- This manual describes the assembly, use and maintenance of your industrial door; this may be supplemented by other manuals, for instance the spring break device manual and operator manual (if applicable.)
- This industrial system has been designed in accordance with the latest European standards; however you have to check yourself whether this standard corresponds with the local national standard.
- All measurements are in millimeters unless otherwise specified.
- After installation ensure that the CE marking label has been completed and attached.
- Keep this manual in a safe place, near to the industrial door.
- Subject to technical changes, without written notice.

4. Safety requirements

- This industrial door system may only be mounted, connected and put into operation by qualified personnel.
 - Make sure that the power is switched off and remains switched off while electrical work is carried out!
 - Never bridge safety devices!
 - Adding or leaving out parts can affect the door operation in a negative way and therefore the safety of the installed sectional door. This is therefore strongly discouraged!
 - Some parts can contain sharp edges: use protective gloves.
- All references to the door/component handing within this manual is always as viewed from inside looking out.

- Never use the sectional door in case of visual damage, especially cables and safety devices.
- When performing assembly/maintenance, always wear at least gloves and safety boots and during drilling/cutting wear safety goggles!
- Make sure that you can always perform your work in a stable environment.
- Secure the assembly/maintenance site with safety ribbon to keep others (children!) at a distance.
- Maintenance must only be performed by a qualified installation company and/or qualified personnel.
- Make sure there is enough light.
- Only use appropriate tools, especially when tensioning the torsion springs.


5. Guidelines



DOCO International had carried out the "Product Test" of this door (Initial Type Testing = ITT) by the RISE institute in Sweden, known as Notified Body No. 0402.


Documents regarding this ITT can, in consultation with DOCO, be transferred to the company which produces the door. This is necessary to complete the Technical File.

NOTE: CE-approved only using the correct DOCO-components.

 It is the responsibility of the installation company to ensure that the chosen E-operator and panels are according to the product standard EN13241-1 and have carried out the necessary ITT.

If a wicket door is to be installed, it is the responsibility of the installation company to ensure that the complete door conforms to the product standard EN13241-1 and have carried out the necessary ITT.

6. Fixing material building

 The necessary fixings to ensure the Industrial Door System door to the building and/or ceiling, are not included! It is the responsibility of the installer to make sure that the building structure is safe/strong enough, to accept the door and its fixings. The installer is also responsible for using the correct fixing materials on the right foundation (stone, concrete, steel, wood). In the image section there will be therefore no specification included.

Door weight for roofload: 510 N/m²


Using doorblads between 7-14 kg/m²

7. Trackset assembly

When you received a trackset kit you can skip this

section. When you build your own trackset follow next construction guideline:

Drilling:

 Use M8 bolt (14010 or 14023) and nuts (14022 or 14013) every 650 mm (max.) between below connections, predrill Ø8,5mm:

Vertical Trackset: connection between, Vertical Angle 290030-series and Track 22000-series.

Horizontal Trackset: connection between, Curve 215091-series and C-track 220016-series.




Connection between vertical angle 290030-series and connection brackets 235300 - 235307

Use 1 M8 bolts / nuts (as above) between track and connection bracket and 1 M8 bolts / nuts (as above) spread out between Vertical angle and connection bracket.

More information see: Technical Production Book

Riveting:

 Minimum rivet size: 5mm, every 650 mm (max.) between below connections.

Rivets need to fixed in accordance with the instructions / manual of the rivet equipment.

Vertical Trackset: connection between, Vertical Angle 290030-series and Track 22000-series.

Horizontal Trackset: connection between, Curve 215090-series and C-track 220016-series.

Connection between vertical angle 290030-series and connection brackets 235300 - 235307.

Use 1 rivet (as above) between track and connection bracket and 2 rivets (as above) spread out between Vertical angle and connection bracket.



More information see: Technical Production Book

8. Panel assembly



The panels need to be assembled according the Industrial Panel Assembly Manual

9. Application Range

This hardware set has been developed for commercial use

SL
Maximum width
8500 mm
Maximum height
7000 mm
Maximum door leaf area
48 m ²
Max door leaf weight
660 kg
Maximum temperature range outside*
-20 °C / +50 °C
Relative humidity
5 - 90%

* Big differences in temperature between the inside and outside can cause deflection in the panel sections (bi-metal effect). In particular dark colored panels are susceptible to this problem and should be avoided. Care should be taken during manual handling as there is a big risk of damage.

10. Handover

Handover the following documents to the end user:

- This manual (assembly, maintenance and disassembly)
- User manual
- Service logbook
- Declaration of Performance (DoP)
- Declaration of Conformity (DoC), only in case of a Power operated door
- Inform the end user how to handle in case of malfunctions

11. First use

The first use of the Industrial Door System has to be carried out by the installer. After that ALL users need to be instructed. For more information refer to the user manual.

12. Electric operator (optional)

Mount the operator according to the supplier's manual.

NOTE: In case of power failure it should be possible to unlock the door using the emergency release from the operator. The door leaf may only in that case, be operated with a handle. If there is no second entrance to the garage, we recommend an external release lock (art 280004) be fitted. Do not fit a pull cord, shoot bolt or lock to an electrically operated door. Ensure that the horizontal tracks are long enough for the electrically operator, this is with

reference to the operator drawbar. In the event that the tracks are too short, a longer horizontal track kit should be used.

13. Operator settings

Adjustment to the operator should be carried out in accordance with the operator manufacturers manual.

Please note that our hardware kits have been CE approved for use with the operators specified in our ITT report and enclosure B. Should a different operator be chosen, then the installer must carry out a peak force analysis in accordance with EN 12445 and EN 12453.

14. Disassembly

Disassembly should be only carried out by an qualified industrial door company / installer.

The door should be disassembled in the reverse sequence to the assembly manual.

15. Disposal

All parts of this Industrial Door System can be easily disposed of.

Please consult your local authorities on this matter.

Procedure:

- Release tension of the torsion springs!
 - Insert the 1st tensioning bar into the tensioning head
 - Keep a good grip on the 1st tensioning bar and carefully undo the bolts on the tensioning head and transfer the spring tension.
 - Now place the 2nd tensioning bar in the next hole of the spring plug and carefully release the spring. The spring is released from top to bottom.
 - Again, fit the 1st tensioning bar to the spring plug and release.
 - Repeat steps 3-4 until the spring is released.
 - Repeat steps 1-4 for the other spring (springs).
- Remove the electrical operator, according to the manual of the electrical operator
- Release the bolts in the cable drums and remove the steel cables from the cable drums. Be careful for any remaining tension in the cables, check if the cables are slack!
- Remove the power-unit. Do this by first removing the coupler and then carefully sliding both shaft halves out of the bearing plates. Be aware that components may slide along the shaft!

- Remove the panel sections from top to bottom. Achieve this by removing the roller holders and centre hinges.
- Remove the horizontal trackset
- Remove the vertical trackset

16. Maintenance / Warnings

In accordance with EU standards, Industrial door systems should be maintained and checked regularly, from the first time of use, based on the indicated service by the installer. Maintenance needs to be recorded written. **Maintenance should be only carried out by an qualified industrial door company / installer.**

Brackets and other components which are attached to Torsion Springs and Cables are under extreme tension. Tensioned springs carry a high tension; always be very careful, and make sure the tensioning bar (# 12025) are well maintained and use the right side of the bar (depends on used spring plug). When checking the industrial door system, always disconned the electrical main power supply and make sure that it is blocked against re-engaging without you knowing it.

Directly after installation (By Installer):

- Lubricate the running part of the tracks (advice: PTFE)
- Lubricate bearings and the shaft of the rollers (advice: PTFE)
- Lubricate pins of the hinges from intermediate- and side-hinges (advice: PTFE)
- Lubricate the bearing of the shaft (advice: PTFE)
- Lubricate sealing rubbers (advice: special rubber grease or vasaline)

After 3 months (By Installer):

- Check balancing system / Re-tensioning springs (relaxation springs)
- Complete visual inspection
- Adjust the spring break device ratchet wheel

Every 6 months (By User):

- Check side seals, Top seal and Bottom Seal on damage or wear and tear
- Lubricate the running part of the tracks (advice: PTFE)
- Lubricate bearings and the shaft of the rollers (advice: PTFE)
- Lubricate pins of the hinges from intermediate- and side-hinges (advice: PTFE spray)
- Lubricate sealing rubbers (advice: special rubber grease or vasaline)
- Clean the panels (advice: shampoo for car cleaning with water), do not use aggressive detergents
- Wax the panels (advice: car wax)
- Remove dirt from the door and surroundings

Every 12 months or every 7500 door cycles (By Installer):

- Check the cables and the end connections from the cable on damages or wear and tear
- Check the cable connection points on bottom bracket or cable break device and Cable drum
- Check the spring break devices in accordance with separate manual
- Check the position of the ratched wheel
- Check the function of the catcher
- Check the bolt and screws connection of the SBD
- Check the Cable Brack Device in accordance with the seperate manual
- Check the function of the Cable Break Device
- Check position of the knife of the Cable Break Device
- Check the position of the hinge pin
- Check the balance of the door and adjust if needed / check the manual operation
- Check the hinges on breaking and wear and tear
- Check the Pulley system (if present) for damages or wear and tear
- Check or test the fixations of the springs to the spring plugs
- Check the rollers or damages or wear and tear and free moving space
- Check the closing forces of the main closing edge (Only if Electrical Operation an Not Deadman function)
- Check the suspension from the horizontal track to the ceiling
- Check the suspension profiles on breaking or damages
- Check the bolt and nut connection
- Check side seals, Top seal and Bottom Seal on damage or wear and tear
- Check the panels on damage, wear and tear
- Lubricate torsion springs, bearings of rollers, running parts of the track and bearing on the shaft

Every 24 months or every 15000 door cycles (By Installer):

- Check the cables and the end connections from the cable on damages or wear and tear
- Check the cable connection points on bottom bracket or cable break device and Cable drum
- Check the spring break devices in accordance with separate manual
- Check the position of the ratched wheel
- Check the function of the catcher
- Check the bolt and screws connection of the SBD
- Check the Cable Brack Device in accordance with the seperate manual
- Check the function of the Cable Break Device
- Check position of the knife of the Cable Break Device
- Check the position of the hinge pin
- Check the balance of the door and adjust if needed / check the manual operation
- Check the hinges on breaking and wear and tear
- Check the Pulley system (if present) for damages or wear and tear
- Check or test the fixations of the springs to the spring plugs
- Check the rollers or damages or wear and tear and free moving space

- Check the closing forces of the main closing edge (Only if Electrical Operation an Not Deadman function)
- Check the suspension from the horizontal track to the ceiling
- Check the suspension profiles on breaking or damages
- Check the bolt and nut connection
- Check the shaft on damages and wear and tear
- Check the connection of the trackset
- Check and re-fix the bolt of the coupler
- Check side seals, Top seal and Bottom Seal on damage or wear and tear
- Check the panels on damage, wear and tear
- Lubricate torsion springs, bearings of rollers, running parts of the track and bearing on the shaft

17. Replacements of Parts

Only use Original DOCO spare parts!

Maintenance should be only carried out by a qualified industrial door company / installer.

After Spring Break:

See instructions separate manual (or download the manual: www.doco-international.com)

- Replace the springs and the Spring Break Device
- Check the shaft on damages and replace if necessary

After Cable Break:

See instructions separate manual (or download the manual: www.doco-international.com)

- Replace cable with connection
- Replace the complete Cable Break Device
- Check tracks and service or replace the tracks

Inhalt

1. Geschäftsbedingungen	8
2. Symbole	8
3. Allgemeine Warnhinweise	8
4. Sicherheitsbestimmungen	8
5. Guidelines	9
6. Befestigungsmaterial für die Konstruktion	9
7. Montage des Laufschiensatzes	9
8. Montage der Paneele	10
9. Einsatzbereich	10
10. Übergabe	10
11. Inbetriebnahme	10
12. Elektroantrieb (optional)	10
13. Einstellungen der Steuerung	10
14. Demontage	10
15. Entsorgung	10
16. Wartung und Warnhinweise	11
17. Austausch von Komponenten	12
18. Befestigungsmittel und Werkzeuge	43
19. Montage	45

1. Geschäftsbedingungen

Für unsere gesamten Angebote, Verträge und späteren Änderungen gelten unsere allgemeinen Liefer- und Zahlungsbedingungen. Unsere Geschäftsbedingungen sind auf Anfrage erhältlich bzw. können auf unserer Website heruntergeladen werden.

www.doco-international.com

2. Symbole



Gefahr / Achtung



Ansehen / kontrollieren



Anleitung beachten



Verpflichteter Schritt



Option



Handbetrieb



Elektroantrieb



Haspelkettenantrieb



Alternativer Schritt



Door Processing Document



Links + rechts

3. Allgemeine Warnhinweise

Diese Montage- und Wartungsanleitung richtet sich an qualifizierte Fachkräfte und nicht an Auszubildende oder Heimwerker. Die für die Montage, Demontage, Wartung oder Inbetriebnahme des Industrietors verantwortlichen Personen müssen diese Montage- und Wartungsanleitung sorgfältig durchlesen, verstehen und befolgen. Damit es nicht zu schweren Verletzungen von Personen kommt, müssen sämtliche Hinweise und Warnungen in dieser Montage- und Wartungsanleitung aufmerksam gelesen und beachtet werden.

- In dieser Montage- und Wartungsanleitung wird die Montage, Demontage und Wartung des Industrietors beschrieben. Ergänzend dazu gelten gegebenenfalls weitere Anleitungen, beispielsweise die Bedienungsanleitungen für Federbruch- oder Seilbruchsicherungen bzw. die Bedienungsanleitung für den Torantrieb.
- Das Industrietor entspricht den aktuellen EU-Normen. Sie müssen allerdings kontrollieren, ob mit diesen Vorgaben auch die bei Ihnen geltenden nationalen Normen erfüllt werden.
- Längenmaße sind – wenn nicht anders vermerkt – in Millimeter angegeben.
- Achten Sie darauf, dass die CE-Kennzeichnung nach der Montage ausgefüllt und angebracht wird.
- Bewahren Sie diese Montage- und Wartungsanleitung an einem sicheren Ort in der Nähe des Industrietors auf.
- Technische Änderungen ohne schriftliche Ankündigung vorbehalten.

4. Sicherheitsbestimmungen

- Das Industrietor darf ausschließlich von qualifizierten Fachkräften montiert, eingebaut, in Betrieb genommen und gewartet werden.
- Bei elektrotechnischen Arbeiten ist die Stromversorgung abzuschalten!
- Schutzvorrichtungen nicht überbrücken!

- Der Einbau zusätzlicher Komponenten oder der Verzicht auf notwendige Komponenten kann die Funktionsfähigkeit des montierten Sektionaltors und damit dessen Sicherheit gefährden. Deshalb ist davon dringend abzuraten.
- Einige Komponenten haben scharfe Kanten: Schutzhandschuhe tragen.
- Angaben in dieser Montage- und Wartungsanleitung zum Umgang mit dem Industrietor und dessen Komponenten erfolgen immer von einem Standpunkt innen mit Blick nach draußen.
- Bei sichtbaren Schäden, insbesondere von Drahtseilen und Schutzvorrichtungen, darf das Industrietor nicht betätigt werden.
- Bei der Montage/Wartung zumindest Handschuhe und Sicherheitsschuhe tragen, beim Bohren/Schneiden Schutzbrille tragen.
- Arbeiten nur in sicherer Umgebung durchführen.
- Montage-/Wartungsbereich mit Absperrband sichern, um den erforderlichen Sicherheitsabstand herzustellen.
- Wartungsarbeiten dürfen ausschließlich von einer qualifizierten Montagefirma bzw. von qualifizierten Fachkräften durchgeführt werden.
- Für ausreichende Beleuchtung sorgen.
- Nur geeignetes Werkzeug verwenden, insbesondere beim Spannen der Torsionsfedern.

5. Guidelines



DOCO International hat die „Produktprüfung“ bzw. Erstprüfung dieses Industrietors (Initial Type Testing – ITT) vom schwedischen RISE-Institut durchführen lassen. Dabei handelt es sich um die benannte Stelle Nr.

0402.

Unterlagen bezüglich dieser Erstprüfung können nach Absprache mit DOCO dem jeweiligen Industrietor-Hersteller übergeben werden. Dies ist für die Erstellung der technischen Dokumentation notwendig.

Hinweis: Die CE-Kennzeichnung gilt nur bei Verwendung der richtigen DOCO-Komponenten.

! Die Montagefirma ist dafür verantwortlich, dass der verwendete Elektroantrieb und die verwendeten Paneele der Produktnorm EN 13241-1 entsprechen und die erforderlichen Erstprüfungen durchgeführt wurden.

Bei der Montage einer Schlupftür ist die Montagefirma dafür verantwortlich, dass das gesamte Industrietor der Produktnorm EN 13241-1 entspricht und die erforderlichen Erstprüfungen durchgeführt wurden.

6. Befestigungsmaterial für die Konstruktion

! The necessary fixings to ensure the Industrial Door System door to the building and/or ceiling, are not included! It is the responsibility of the installer to make sure that the building structure is safe/strong enough, to accept the door and its fixings. The installer is also responsible for using the correct fixing materials on the right foundation (stone, concrete, steel, wood). In the image section there will be therefore no specification included.

Door weight for roofload: 510 N/m²

Using doorblads between 7-14 kg/m²

7. Montage des Laufschiensatzes

Wenn Sie einen Laufschiens-Bausatz erhalten haben, können Sie diesen Abschnitt überspringen.

Wenn Sie den Laufschiensatz selber zusammenbauen, gehen Sie folgendermaßen vor:

Bohren:

! M8-Schrauben (14010 oder 14023) und Muttern (14022 oder 14013) alle 650 mm (max.) für folgende Verbindungen verwenden, Ø8,5 mm vorbohren:

Vertikaler Laufschiensatz: Verbindung zwischen Winkelzarge (290030) und Laufschiene (22000)

Horizontaler Laufschiensatz: Verbindung zwischen Bogen (215091) und C-Profil (220016)

Verbindung zwischen Winkelzarge (290030) und Anschlussplatten (235300 bzw. 235307)

1 M8-Schraube/-Mutter (wie oben) zwischen Laufschiene und Anschlussplatte einsetzen und 1 M8-Schraube/-Mutter (wie oben) zwischen Winkelzarge und Anschlussplatte.



Weitere Informationen siehe: Handbuch zur technischen Fertigung

Vernietung:

! Mindestgröße Niet = 5 mm, alle 650 mm (max.) zwischen folgenden Verbindungen.

Die Vernietung muss entsprechend den Anweisungen/der Bedienungsanleitung der jeweiligen Nietwerkzeuge durchgeführt werden.

Vertikaler Laufschiensatz: Verbindung zwischen Winkelzarge (290030) und Laufschiene (22000)

Horizontaler Laufschiensatz: Verbindung zwischen Bogen (215091) und C-Profil (220016)

Verbindung zwischen Winkelzarge (290030) und

Anschlussplatten (235300 bzw. 235307)

1 Niet (wie oben) zwischen Laufschiene und Anschlussplatte einsetzen und 2 Niete (wie oben) zwischen Winkelzarge und Anschlussplatte.



Weitere Informationen siehe: Handbuch zur technischen Fertigung

8. Montage der Paneele



Die Paneele sind entsprechend der Montageanleitung für Industriepaneele zu montieren

9. Einsatzbereich

Dieser Einbausatz ist zur gewerblichen Nutzung bestimmt

SL
Max. Breite
8500 mm
Max. Höhe
7000 mm
Max. Torblatt-Fläche
48 m ²
Max. Torblatt -Gewicht
660 kg
Max. Temperaturbereich außen*
-20 °C / +50 °C
Relative Luftfeuchtigkeit
5 - 90%

* Große Temperaturunterschiede zwischen Innen- und Außenbereich können zu Verformungen der Paneele führen (Bimetall-Effekt). Dieses Problem tritt insbesondere bei Paneelen mit dunkler Farbe auf. Deshalb wird von der Verwendung derartiger Paneele abgeraten. Wegen Beschädigungsgefahr ist bei manueller Bedienung besondere Vorsicht geboten!

10. Übergabe

- Folgende Unterlagen sind dem Endbenutzer zu übergeben:
- Die vorliegende Montage- und Wartungsanleitung (Montage, Wartung und Demontage)
- Betriebsanleitung
- Wartungsbuch
- Leistungserklärung
- Konformitätserklärung (nur bei Toren mit Elektroantrieb)

11. Inbetriebnahme

Die Inbetriebnahme des Industrietors muss vom Monteur vorgenommen werden. Anschließend sind ALLE Benutzer einzuweisen. Weitere Informationen – siehe Betriebsanleitung.

12. Elektroantrieb (optional)

Den Antrieb entsprechend der Montageanleitung des Lieferanten montieren.

Hinweis:

Bei Stromausfall sollte es möglich sein, das Tor mithilfe der Notentriegelung des Antriebs zu entriegeln. Der Torflügel darf nur in diesem Fall mithilfe eines Griffs bewegt werden. An ein elektrisch betriebenes Tor dürfen keine Zugschnur, keine Verriegelung und kein Schloss angebracht werden, es sei denn, die Verriegelung bzw. das Schloss verfügen über einen Notschalter.

13. Einstellungen der Steuerung

Die Einstellungen der Steuerung erfolgen anhand der Bedienungsanleitung des jeweiligen Herstellers.

Bitte beachten Sie: Unsere Bausätze besitzen die CE-Kennzeichnung für die Nutzung mit den in unserem Erstrprüfungsbericht beschriebenen Torantrieben. Bei Verwendung eines anderen Antriebs hat der Monteur einen Spitzenbelastungstest gemäß EN 12445 und EN 12453 durchzuführen.

14. Demontage

Die Demontage darf ausschließlich von einem qualifizierten, auf Industrietore spezialisierten Unternehmen/Monteur durchgeführt werden. Zur Demontage des Industrietors werden die in der Montageanleitung beschriebenen Schritte in umgekehrter Reihenfolge ausgeführt.

15. Entsorgung

Alle Komponenten des Industrietors können problemlos entsorgt werden. Wenden Sie sich diesbezüglich an die zuständigen Stellen.

Verfahren:

- ntspannen der Torsionsfedern.
 - Die erste Spannstange in den Spannkopf einführen.
 - Die erste Spannstange gut festhalten, vorsichtig die Schrauben am Spannkopf lösen und die Federspannung übertragen.
 - Jetzt die zweite Spannstange in das nächste Loch des Federkopfs einführen und

- vorsichtig die Feder entspannen. Die Feder wird von oben nach unten entspannt.
- Die erste Spannstange erneut in den Federkopf einführen und Spannung reduzieren.
- Schritte 3–4 wiederholen, bis die Feder entspannt ist.
- Schritte 1–4 für die andere(n) Feder(n) wiederholen.
- Den Elektroantrieb entsprechend der jeweiligen Bedienungsanleitung abnehmen.
- Die Schrauben an den Seiltrommeln lösen und die Drahtseile von den Seiltrommeln entfernen. Vorsicht! Drahtseile stehen eventuell noch unter Spannung. Achten Sie darauf, dass die Drahtseile entspannt sind.
- Abnehmen der Stromversorgungseinheit. Zunächst die Kupplung abnehmen und dann vorsichtig beide Wellenhälften aus den Grundplatten herauschieben. Beachten Sie, dass Komponenten entlang der Welle verrutschen können.
- Paneele von oben nach unten abnehmen. Hierfür die Laufrollenhalterungen und Mittelscharniere entfernen.
- Den horizontalen Laufschiensatz abnehmen.
- Den vertikalen Laufschiensatz abnehmen.

16. Wartung und Warnhinweise

Im Einklang mit EU-Normen ist das Industrietor ab der ersten Inbetriebnahme gemäß dem vom Monteur vorgegebenen Serviceplan regelmäßig zu warten und zu kontrollieren. Durchgeführte Wartungsarbeiten sind schriftlich festzuhalten. Wartungsarbeiten dürfen – soweit nicht anders vermerkt – ausschließlich von einem qualifizierten, auf Industrietore spezialisierten Unternehmen/Monteur durchgeführt werden.

Konsolen und andere mit den Torsionsfedern und Drahtseilen verbundene Komponenten stehen unter extrem starker Spannung. Vorsicht beim Umgang mit gespannten Federn: Sie stehen unter starker Spannung. Die Spannstange (12025) muss einwandfrei gewartet sein und mit der richtigen Seite verwendet werden (je nach verwendetem Federkopf). Bei der Überprüfung des Industrietors ist immer die Hauptstromversorgung abzuschalten und gegen versehentliches Wiedereinschalten zu sichern.

Unmittelbar nach der Montage (Durch Monteur):

- Lauffläche der Laufschienschiern (Empfehlung: PTFE)
- Lager und Laufrollenwelle schmieren (Empfehlung: PTFE)
- Stifte der Mittel- und Seitenscharniere schmieren (Empfehlung: PTFE)
- Wellenlager schmieren (Empfehlung: PTFE)

- Dichtungsgummis schmieren (Empfehlung: spezielles Dichtungsfett oder Vaseline)

Nach 3 Monaten (Durch Monteur):

- Gegengewichtssystem prüfen, Nachspannen der Federn (Entspannen der Federn).
- Komplette Sichtprüfung
- Sperrzahnrad der Federbruchsicherung einstellen

Nach 6 Monaten (Durch Benutzer):

- Seitendichtungen, Top- und Bodendichtung auf Beschädigung und Abnutzung prüfen
- Lauffläche der Laufschienschiern (Empfehlung: PTFE)
- Lager und Laufrollenwelle schmieren (Empfehlung: PTFE)
- Stifte der Mittel- und Seitenscharniere schmieren (Empfehlung: PTFE-Spray)
- Dichtungsgummis schmieren (Empfehlung: spezielles Dichtungsfett oder Talkum)
- Paneele reinigen (Empfehlung: Shampoo zur Fahrzeugreinigung und Wasser),
- Keine aggressiven Reiniger verwenden.
- Paneele wachsen (Empfehlung: Fahrzeugwachs)
- Schmutz vom Tor und aus dem Umgebungsbereich entfernen.

Alle 12 Monate bzw. nach jeweils 7500 Öffnungs-/Schließzyklen (Durch Monteur):

- Drahtseile und deren Endanschlüsse auf Abnutzung und Beschädigung prüfen
- Anschlussstellen der Drahtseile an die Bodenkonsole bzw. die Seilbruchsicherung sowie Seiltrommel prüfen
- Federbruchsicherung entsprechend separater Bedienungsanleitung prüfen
 - Position des Sperrrads prüfen
 - Funktionsfähigkeit der Sicherung prüfen
 - Bolzen- und Schraubenverbindungen der Federbruchsicherung prüfen
- Seilbruchsicherung entsprechend separater Bedienungsanleitung prüfen
 - Funktionsfähigkeit der Seilbruchsicherung prüfen
 - Position des Messers der Seilbruchsicherung prüfen
 - Position des Scharnierbolzens prüfen
- Ausrichtung des Tores überprüfen und ggf. nachjustieren/manuelle Bedienung prüfen
- Scharniere auf Beschädigung und Abnutzung prüfen
- Rollensystem (wenn vorhanden) auf Beschädigung und Abnutzung prüfen
- Die Befestigungen der Federn an den Federköpfen prüfen oder testen

- Rollen auf Beschädigung und Abnutzung sowie auf ausreichenden Freiraum prüfen
- Schließkraft an der Hauptschließkante prüfen (nur, wenn der Elektroantrieb nicht durch Totmann-Betrieb erfolgt)
- Aufhängung der horizontalen Laufschiene an der Decke prüfen Durch Monteur
 - Aufhängungsprofile auf Bruchstellen und Beschädigung prüfen Durch Monteur
 - Schrauben-Muttern-Verbindungen prüfen (Durch Monteur)
- Seitendichtungen, Top- und Bodendichtung auf Beschädigung oder Abnutzung prüfen (Durch Monteur)
- Paneele auf Beschädigung und Abnutzung prüfen Durch Monteur
- Torsionsfedern, Laufrollenlager, bewegliche Komponenten der Laufschiene und Wellenlager schmieren (Durch Monteur)

Alle 24 Monate bzw. nach jeweils 15000 Öffnungs-/Schließzyklen (Durch Monteur):

- Drahtseile und deren Endanschlüsse auf Abnutzung und Beschädigung prüfen
- Anschlussstellen der Drahtseile an die Bodenkonsole bzw. die Seilbruchsicherung sowie Seiltrommel prüfen
- Federbruchsicherung entsprechend separater Bedienungsanleitung prüfen
 - Position des Sperrrads prüfen
 - Funktionsfähigkeit der Sicherung prüfen
 - Bolzen- und Schraubenverbindungen der Federbruchsicherung prüfen
- Seilbruchsicherung entsprechend separater Bedienungsanleitung prüfen
 - Funktionsfähigkeit der Seilbruchsicherung prüfen
 - Position des Messers der Seilbruchsicherung prüfen
 - Position des Scharnierbolzens prüfen
- Ausrichtung der Tür überprüfen und ggf. nachjustieren/manuelle Bedienung prüfen
- Scharniere auf Beschädigung und Abnutzung prüfen
- Rollensystem (wenn vorhanden) auf Beschädigung und Abnutzung prüfen
- Die Befestigungen der Federn an den Federköpfen prüfen oder testen
- Rollen auf Beschädigung und Abnutzung sowie auf ausreichenden Freiraum prüfen
- Schließkraft an der Hauptschließkante prüfen (nur, wenn der Elektroantrieb nicht durch Totmann-Betrieb erfolgt)
- Aufhängung der horizontalen Laufschiene an der Decke prüfen
 - Aufhängungsprofile auf Bruchstellen und Beschädigung prüfen

- Schrauben-Muttern-Verbindungen prüfen

- Welle auf Beschädigung und Abnutzung prüfen
- Anschluss der Laufschiene prüfen
- Kupplungsbolzen prüfen und wieder einsetzen
- Seitendichtungen, Top- und Bodendichtung auf Beschädigung und Abnutzung prüfen
- Paneele auf Beschädigung und Abnutzung prüfen
- Torsionsfedern, Laufrollenlager, bewegliche Komponenten der Laufschiene und Wellenlager schmieren

17. Austausch von Komponenten

Verwenden Sie ausschließlich Originalersatzteile von DOCO! Wartungsarbeiten dürfen ausschließlich von einem qualifizierten, auf Industrietore spezialisierten Unternehmen/ Monteur durchgeführt werden.

Bei Bruch einer Feder:

- Siehe separate Bedienungsanleitung (Bedienungsanleitung gegebenenfalls von unserer Website www.doco-international.com herunterladen)
- Federn und Federbruchsicherung austauschen
- Welle auf Beschädigung prüfen und ggf. austauschen

Bei Riss eines Drahtseils:

- Siehe separate Bedienungsanleitung (Bedienungsanleitung gegebenenfalls von unserer Website www.doco-international.com herunterladen)
- Drahtseil und entsprechenden Anschluss austauschen
- Seilbruchsicherung komplett austauschen
- Laufschiene prüfen und warten bzw. austauschen

Contenido

1. Condiciones	13
2. Símbolos.....	13
3. Advertencias generales.....	13
4. Requisitos de seguridad	13
5. Directrices	14
6. Material de fijación a la construcción	14
7. Montaje del juego de guías	14
8. Montaje del panel.....	15
9. Rango de aplicación	15
10. Entrega.....	15
11. Primer uso	15
12. Motor eléctrico (opcional)	15
13. Ajustes de la unidad de control	15
14. Desmontaje.....	15
15. Eliminación de desechos	15
16. Mantenimiento i Advertencias	16
17. Cambios de piezas.....	17
18. Fijaciones y herramientas	43
19. Instrucciones.....	45

1. Condiciones

Nuestras condiciones generales de entrega y de pago se aplicarán a todas nuestras ofertas, contratos o revisiones posteriores. Se puede solicitar una copia de nuestras condiciones o se pueden descargar desde nuestra página web:

www.doco-international.com

2. Símbolos



Peligro / atención



Mira / revisa



Consulta manual



Paso obligatorio



Paso opcional



Funcionamiento a mano



Funcionamiento mediante motor eléctrico



Funcionamiento mediante elevador de cadena



Paso alternativo



Documento de procesamiento de puertas



Izquierda + derecha

3. Advertencias generales

Este manual ha sido elaborado para su uso por personas cualificadas y, por tanto, no para aprendices o aficionados al bricolaje.

La persona que monte, desmonte, mantenga o ponga en funcionamiento el sistema de puerta deberá leer atentamente, comprender y seguir este manual. Para evitar lesiones graves, lea atentamente y observe todas las indicaciones y advertencias de este manual.

- En este manual se describe el montaje, desmontaje y mantenimiento de su sistema de puerta industrial y puede complementarse mediante otros manuales, como por ejemplo, el manual del dispositivo de seguridad de muelles, del dispositivo paracaídas o del motor eléctrico (si corresponde).
- Este sistema de puerta industrial se ha diseñado de conformidad con las últimas normas europeas, pero tendrá que comprobar usted mismo si esta norma se corresponde con la norma nacional local.
- Todas las medidas están en milímetros a menos que se especifique lo contrario.
- Después de la instalación asegúrese de que queda fijada y cumplimentada la etiqueta de señalización de la CE.
- Guarde este manual en un lugar seguro, cerca de la puerta industrial.
- Sujeto a cambios técnicos sin previo aviso por escrito.

4. Requisitos de seguridad

- Este sistema de puerta industrial solo puede ser montado, conectado y puesto en funcionamiento por personas cualificadas.
- Asegúrese de que la alimentación eléctrica esté desconectada y permanezca desconectada mientras se lleva a cabo el trabajo eléctrico.

- ¡Nunca puentee los dispositivos de seguridad!
- Agregar o no utilizar todas las piezas puede afectar de manera negativa al funcionamiento de la puerta y por lo tanto a la seguridad del sistema de puerta industrial. Por tanto, se recomienda encarecidamente que no haga esto.
- Algunas piezas pueden tener bordes afilados: utilice guantes de protección.
- Todas las referencias de este manual al manejo de la puerta o de los componentes es siempre como se ven mirando desde el interior hacia fuera.
- Nunca use el sistema de puerta industrial en caso de daños visibles, especialmente en los cables y dispositivos de seguridad.
- Al realizar el montaje y el mantenimiento, siempre use al menos guantes y botas de seguridad y durante las tareas de taladrado y corte use gafas protectoras.
- Asegúrese de que siempre pueda llevar a cabo su trabajo en un entorno estable.
- Señalice el lugar de montaje y mantenimiento con una cinta de seguridad para evitar que otras personas se acerquen.
- El mantenimiento deberá ser realizado exclusivamente por una empresa acreditada y/o personas cualificadas.
- Asegúrese de que haya suficiente luz.
- Utilice solamente las herramientas apropiadas, especialmente al tensar los muelles de torsión.

5. Directrices



DOCOC International ha realizado la "Prueba de producto" de esta puerta (ensayo de tipo inicial = ITTr) a través del instituto RISE en Suecia, conocido como Organismo Notificado N° 0402.

Los documentos sobre este ITTr pueden, previa consulta con DOCOC, transferirse a la empresa que fabrica la puerta. Esto es necesario para completar el Expediente Técnico.

NOTA: Homologado por la CE solamente usando los componentes correctos de DOCOC.

⚠ Es responsabilidad de la empresa instaladora garantizar que el motor eléctrico y los paneles elegidos se ajustan a la norma de producto EN13241-1 y han superado el ensayo ITTr necesario.

Si se va a instalar una puerta peatonal, es responsabilidad de la empresa instaladora garantizar que la puerta en su totalidad se ajusta a la norma de producto EN13241-1 y ha superado el ensayo ITTr necesario.

6. Material de fijación a la construcción

⚠ No están incluidas las fijaciones necesarias para asegurar el sistema de puerta industrial al edificio y/o el techo.

Es responsabilidad de la empresa instaladora asegurarse de que la estructura del edificio es segura y lo suficientemente fuerte para recibir la puerta y sus fijaciones.

El instalador también es responsable de utilizar los materiales de fijación correctos en la superficie correcta (piedra, hormigón, acero, madera).

En la sección de imágenes no se incluirá, por tanto, ninguna especificación.

Peso de la puerta* para carga sobre el techo: 510 N/m²

Uso de hojas de puerta entre 7 y 14 kg/m²

7. Montaje del juego de guías

Si recibe un kit de juego de guías puede omitir esta sección. Si construye su propio juego de guías siga las directrices de construcción siguientes:

Taladro:

⚠ Use tornillos (14010 o 14023) y tuercas (14022 o 14013) M8 cada 650 mm (máx.) entre las conexiones siguientes, pretaladro de Ø 8,5 mm:

Juego de guías verticales: conexión entre ángulo vertical serie 290030 y guía serie 22000

Juego de guías horizontales: conexión entre curva serie 215091 y perfil C serie 220016

Conexión entre ángulo vertical serie 290030 y abrazaderas de conexión serie 235300 - 235307

Use tornillos / tuercas M8 (como se ha indicado) entre la guía y la abrazadera de conexión y tornillos / tuercas M8 (como se ha indicado) distribuidos entre el ángulo vertical y la abrazadera de conexión.



Para más información véase: Manual técnico de producción

Remachado:

⚠ Tamaño mínimo del remache = 5 mm, cada 650 mm (máx.) entre las conexiones siguientes.

Los remaches tienen que fijarse de acuerdo con las instrucciones o el manual del equipo de remachado.

Juego de guías verticales: conexión entre ángulo vertical serie 290030 y guía serie 22000

Juego de guías horizontales: conexión entre curva

serie 215091 y perfil C serie 220016

Conexión entre ángulo vertical serie 290030 y abrazaderas de conexión serie 235300 - 235307

Use 1 remache (como se ha indicado) entre la guía y la abrazadera de conexión y 2 remaches (como se ha indicado) distribuidos entre el ángulo vertical y la abrazadera de conexión.



Para más información véase: Manual técnico de producción

8. Montaje del panel



Los paneles tienen que montarse de acuerdo con el Manual de montaje de paneles industriales

9. Rango de aplicación

Este juego de herrajes ha sido desarrollado para su uso comercial

SL
Anchura máxima
8500 mm
Altura máxima
7000 mm
Superficie máxima de la hoja de puerta
48 m ²
Peso máximo de la hoja de la puerta
660 kg
Intervalo máximo de temperatura exterior*
-20 °C / +50 °C
Humedad relativa
5 - 90%

* Grandes diferencias de temperatura entre el interior y el exterior pueden causar deformación de las secciones del panel (efecto bimetálico). Los paneles de colores oscuros son especialmente susceptibles a este problema y deben evitarse. Se debe tener cuidado durante la manipulación manual ya que hay un gran riesgo de daños.

10. Entrega

Entregue la siguiente documentación al usuario final:

- Este manual (montaje, mantenimiento y desmontaje)
- Manual del usuario
- Libro de registro de revisiones
- Declaración de rendimiento (DoP)

- Declaración de conformidad (DoC), solo en caso puerta con accionamiento eléctrico.

11. Primer uso

El primer uso del sistema de puerta industrial tiene que realizarlo el instalador. A continuación hay que dar instrucciones a TODOS los usuarios. Para más información consulte el manual del usuario.

12. Motor eléctrico (opcional)

Monte el motor de acuerdo con el manual del proveedor. NOTA: En caso de corte de la alimentación eléctrica, debería ser posible desbloquear la puerta con el desbloqueo manual de emergencia del motor eléctrico. Solo en ese caso se podrá accionar la hoja de la puerta con una manilla. No instale un cable de tracción, pestillo de disparo o cerradura en una puerta de accionamiento eléctrico, o habrá que equipar el pesillo de disparo o la cerradura con un interruptor electrónico.

13. Ajustes de la unidad de control

Los ajustes de la unidad de control deben realizarse de acuerdo con el manual del fabricante del motor eléctrico. Tenga en cuenta que nuestros kits de herrajes cuentan con la homologación CE para su uso con los motores eléctricos especificados en nuestro informe ITTr. Si se opta por un motor eléctrico diferente, entonces el instalador deberá realizar un análisis de fuerza máxima, de acuerdo con las normas EN-12445 y EN-12453.

14. Desmontaje

El desmontaje deberá ser realizado exclusivamente por una empresa de puertas industriales acreditada o un instalador cualificado. La puerta deberá desmontarse siguiendo la secuencia inversa a la del manual de montaje.

15. Eliminación de desechos

Todas las piezas de este sistema de puerta industrial pueden desecharse fácilmente. Consulte a las autoridades locales en esta materia.

Procedimiento:

- Libere la tensión de los muelles de torsión.
 - Introduzca la primera barra de tensión en el cabezal de tensión
 - Sujete bien la primera barra de tensión y afloje con cuidado los tornillos del cabezal de tensión y transfiera la tensión del muelle.

- Ahora coloque la segunda barra de tensión en el siguiente orificio de la pieza de torsión y libere con mucho cuidado el muelle. El muelle se libera de arriba abajo.
 - Vuelva a colocar la primera barra de tensión en la pieza de torsión y libere.
 - Repita los pasos 3 y 4 hasta que quede liberado el muelle.
 - Repita los pasos 1 a 4 para el otro muelle o muelles.
- Retire el motor eléctrico de acuerdo con el manual del motor eléctrico.
 - Afloje los tornillos de los tambores del cable y saque los cables de acero de los tambores. Tenga cuidado por si quedase algo de tensión en los cables; compruebe que los cables estén flojos.
 - Retire la unidad de accionamiento. Para hacerlo primero retire el acoplador y a continuación saque con cuidado ambos semiejes de los soportes del eje. Tenga en cuenta que algunos componentes pueden deslizarse a lo largo del eje.
 - Retire las secciones del panel de arriba abajo. Esto se consigue retirando los soportes de los rodillos y las bisagras centrales.
 - Retire el juego de guías horizontales
 - Retire el juego de guías verticales

16. Mantenimiento i Advertencias

De conformidad con las normas de la UE, hay que realizar regularmente el mantenimiento y la revisión del sistema de puerta industrial, desde el primer momento de su uso, de acuerdo con las revisiones indicadas por el instalador. Es necesario registrar por escrito el mantenimiento. El mantenimiento deberá ser realizado exclusivamente por una empresa de puertas industriales acreditada o un instalador cualificado, salvo que se especifique lo contrario.

Las abrazaderas y otros componentes que están fijados a muelles de torsión y cables se encuentran bajo una tensión extrema. Los muelles extendidos portan una gran tensión; tenga siempre mucho cuidado y asegúrese de realizar el mantenimiento correcto de la barra de tensión (ref. 12025) y de usar el lado correcto de la barra (depende de la pieza de torsión del muelle utilizada). Para la revisión de un sistema de puerta industrial, desconecte siempre la alimentación eléctrica principal y asegúrese de que queda bloqueada frente a accionamientos accidentales.

Inmediatamente después de la instalación (Por Instalador):

- Lubrique la parte de recorrido de las guías (recomendación: PTFE)

- Lubrique los cojinetes y ejes de rodillo (recomendación: PTFE)
- Lubrique los ejes de las bisagras intermedias y laterales (recomendación: PTFE)
- Lubrique el soporte del eje (recomendación: PTFE)
- Lubrique las juntas de goma (recomendación: grasa especial para goma o vaselina)

Después de 3 meses (Por Instalador):

- Compruebe el sistema de equilibrado / retensado de muelles (muelles de relajación)
- Inspección visual completa
- Ajustar la posición del piñón del dispositivo de seguridad

Cada 6 meses (Por Usuario):

- Compruebe la junta lateral, la junta superior y la junta inferior en cuanto a daños o desgaste
- Lubrique la pieza móvil de las guías (recomendación: PTFE)
- Lubrique los cojinetes y ejes de rodillo (recomendación: PTFE)
- Lubrique los ejes de las bisagras intermedias y laterales (recomendación: pulverización de PTFE)
- Lubrique las juntas de goma (recomendación: grasa especial para goma o polvos de talco)
- Limpie los paneles (recomendación: jabón para limpieza de automóviles con agua), no utilice detergentes agresivos
- Encere los paneles (recomendación: cera para automóviles)
- Elimine la suciedad de la puerta y sus alrededores

Cada 12 meses o cada 7500 ciclos de la puerta (Por Instalador):

- Compruebe los cables y las conexiones finales del cable en cuanto a desgaste o daños
- Compruebe los puntos de conexión del cable en la abrazadera inferior o el dispositivo paracaídas y el tambor del cable.
- Compruebe los dispositivos de seguridad de muelles de acuerdo con el manual correspondiente
 - Compruebe la posición de la rueda dentada
 - Compruebe el funcionamiento del fiador
 - Compruebe la conexión de tornillos del dispositivo de seguridad de muelles
- Compruebe el dispositivo paracaídas de acuerdo con el manual correspondiente
 - Compruebe el funcionamiento del dispositivo paracaídas
 - Compruebe la posición de la cuchilla del dispositivo paracaídas
 - Compruebe la posición del eje de la bisagra
- Compruebe el equilibrio de la puerta y ajuste si es necesario / compruebe el funcionamiento manual
- Compruebe las bisagras en cuanto a rotura y desgaste

- Compruebe el sistema de poleas (si lo hay) en cuanto a daños y desgaste
- Revise o pruebe las fijaciones de los muelles a las piezas de torsión
- Compruebe los rodillos en cuanto a daños, desgaste y carrera libre
- Compruebe las fuerzas de cierre del borde de cierre principal (solamente si hay accionamiento eléctrico y no cuenta con interruptor de hombre muerto)
- Compruebe la suspensión desde la guía horizontal al techo
- Compruebe los perfiles de suspensión en cuanto a rotura o daños
- Compruebe la conexión de tornillos y tuercas
- Compruebe la junta lateral, la junta superior y la junta inferior en cuanto a daños o desgaste
- Compruebe los paneles en cuanto a rotura y desgaste
- Lubrique los muelles de torsión, los cojinetes de los rodillos, las piezas móviles de la guía y el soporte del eje

Cada 24 meses o cada 15000 ciclos de la puerta (Por Instalador):

- Compruebe los cables y las conexiones finales del cable en cuanto a desgaste o daños
- Compruebe los puntos de conexión del cable en la abrazadera inferior o el dispositivo paracaídas y el tambor del cable.
- Compruebe los dispositivos de seguridad de muelles de acuerdo con el manual correspondiente
 - Compruebe la posición de la rueda dentada
 - Compruebe el funcionamiento del fiador
 - Compruebe la conexión de tornillos del dispositivo de seguridad de muelles
- Compruebe el dispositivo paracaídas de acuerdo con el manual correspondiente
 - Compruebe el funcionamiento del dispositivo paracaídas
 - Compruebe la posición de la cuchilla del dispositivo paracaídas
 - Compruebe la posición del eje de la bisagra
- Compruebe el equilibrio de la puerta y ajuste si es necesario / compruebe el funcionamiento manual
- Compruebe las bisagras en cuanto a rotura y desgaste
- Compruebe el sistema de poleas (si lo hay) en cuanto a daños y desgaste
- Revise o pruebe las fijaciones de los muelles a las piezas de torsión
- Compruebe los rodillos en cuanto a daños, desgaste y carrera libre
- Compruebe las fuerzas de cierre del borde de cierre principal (solamente si hay accionamiento eléctrico y no cuenta con interruptor de hombre muerto)
- Compruebe la suspensión desde la guía horizontal al techo
 - Compruebe los perfiles de suspensión en cuanto a rotura o daños

- Compruebe la conexión de tornillos y tuercas

- Compruebe el eje en cuanto a daños y desgaste
- Compruebe la conexión del juego de guías
- Compruebe y reapriete el tornillo del acoplador
- Compruebe la junta lateral, la junta superior y la junta inferior en cuanto a daños o desgaste
- Compruebe los paneles en cuanto a rotura y desgaste
- Lubrique los muelles de torsión, los cojinetes de los rodillos, las piezas móviles de la guía y el soporte del eje

17. Cambios de piezas

Utilice únicamente piezas de repuesto originales de DOCO.

El mantenimiento deberá ser realizado exclusivamente por una empresa de puertas industriales acreditada o un instalador cualificado.

Tras la rotura de un muelle:

Vea las instrucciones en el manual correspondiente (o descargue el manual en la página web www.doco-international.com)

- Cambie los muelles y el dispositivo de seguridad de muelles
- Compruebe el eje en cuanto a daños y sustitúyalo si es necesario.

Tras la rotura de un cable:

Vea las instrucciones en el manual correspondiente (o descargue el manual en la página web www.doco-international.com)

- Sustituya el cable con la conexión
- Sustituya el dispositivo paracaídas completo
- Compruebe las guías y realice el mantenimiento o sustituya las guías.

Indice

1. Modalités et conditions	18
2. Symboles	18
3. Mises en garde générales	18
4. Exigences en matière de sécurité	18
5. Directives	19
6. Matériel de fixation à la construction.....	19
7. Assemblage du kit de rails.....	19
8. Assemblage du panneau.....	20
9. Gamme d'application.....	20
10. Transmission de l'objet.....	20
11. Première utilisation.....	20
12. Automatisation (en option)	20
13. Réglages de l'unité de commande	20
14. Désassemblage.....	20
15. Élimination des déchets.....	20
16. Entretien et Mises en garde	21
17. Remplacement de pièces	22
18. Attaches et outils	43
19. Instructions d'assemblage.....	45

1. Modalités et conditions

Nos conditions générales de livraison et de paiement s'appliquent à l'ensemble de nos offres, accords ou révisions ultérieures. Une copie de nos modalités et conditions est disponible sur demande ou peut être téléchargée sur notre site web:

www.doco-international.com

2. Symboles



Danger / attention



À examiner / vérifier



Consultez le manuel



Étape obligatoire



Étape facultative



Operation manuelle



Operation électrique



Fonctionnement par treuil à chaîne

ALT.

Étape alternative



Document sur le traitement de la porte



Gauche + droite

3. Mises en garde générales

Le présent manuel a été élaboré pour une utilisation par du personnel qualifié et dès lors pas par des stagiaires ou des «bricoleurs». Les personnes qui assemblent, désassemblent, entretiennent ou mettent en service le système de porte doivent lire attentivement le présent manuel, le comprendre et le suivre. Afin d'éviter des dommages corporels graves, veuillez lire attentivement et respecter l'ensemble des indications et mises en garde contenues dans le présent manuel.

- Le présent manuel décrit l'assemblage, le désassemblage et l'entretien de votre système de porte industrielle ; il peut être complété par d'autres manuels, par exemple le manuel sur le dispositif de sécurité à ressort, le manuel sur le dispositif de sécurité par câble et le manuel de l'automatisme (selon les cas).
- Ce système de porte industrielle a été conçu conformément aux dernières normes européennes mais vous devez cependant vérifier par vos propres soins si cette norme correspond à la norme nationale locale.
- Toutes les mesures s'entendent en millimètres sauf indication contraire.
- Après installation, veillez à ce que l'étiquette de marquage CE ait été complétée et fixée.
- Conservez le présent manuel dans un endroit sécurisé, à proximité de la porte industrielle.
- Le présent document est susceptible de subir des modifications techniques sans préavis préalable.

4. Exigences en matière de sécurité

- Ce système de porte industrielle peut uniquement être monté, connecté, mis en service et entretenu par du personnel qualifié.
- Assurez-vous que l'alimentation électrique est coupée et le demeure durant l'exécution de travaux électriques !

- Ne portez jamais les dispositifs de sécurité !
- L'ajout ou l'omission de pièces est susceptible d'affecter le fonctionnement de la porte de manière négative et, dès lors, la sécurité du système de porte sectionnelle installée. Nous vous le déconseillons dès lors fortement !
- Certaines pièces sont susceptibles de contenir des bords tranchants : utilisez des gants de protection.
- Toutes les références à la manipulation de la porte/du composant figurant dans le présent manuel sont toujours en vue de l'intérieur vers l'extérieur.
- N'utilisez jamais le système de porte industrielle en cas de détérioration visible, en particulier au niveau des câbles et des dispositifs de sécurité.
- Durant l'assemblage/l'entretien, portez toujours au moins des gants et des bottes de sécurité et portez des lunettes de sécurité durant le forage/le découpage !
- Veillez à toujours être en mesure d'effectuer votre travail dans un environnement stable.
- Sécurisez le site d'assemblage/d'entretien à l'aide d'une banderole de sécurité afin de maintenir les autres personnes à distance.
- L'entretien peut uniquement être effectué par une entreprise installatrice qualifiée et/ou du personnel qualifié.
- Veillez à ce que l'éclairage soit suffisant.
- Utilisez uniquement des outils appropriés, en particulier lorsque vous tendez les ressorts de torsion. .

5. Directives



DOCOC International a fait effectuer le « test produit » de cette porte (essai de type initial) par le RISE Institute en Suède, connu sous la dénomination d'organisme notifié 0402.

En consultation avec DOCOC, les documents concernant cet essai de type initial peuvent être transmis à la société qui fabrique la porte. Cette étape est nécessaire afin de compléter la fiche technique.

REMARQUE : avec marquage CE uniquement, en utilisant les composants DOCOC appropriés.

⚠ Il relève de la responsabilité de l'entreprise qui assure l'installation de garantir que l'automatisme et les panneaux choisis soient conformes à la norme de produit EN13241-1 et aient été soumis aux essais de type initiaux nécessaires.

Dans l'hypothèse de l'installation d'un portillon, il relève de la responsabilité de l'entreprise assurant l'installation de garantir que l'ensemble de la porte est conforme à la norme de produit EN13241-1 et a été soumis à l'essai de type initial nécessaire.

6. Matériel de fixation à la construction

⚠ Les fixations nécessaires afin de fixer le système de porte industrielle au bâtiment et/ou au plafond ne sont pas comprises ! Il relève de la responsabilité de l'entreprise assurant l'installation de veiller à ce que la structure du bâtiment soit sécurisée/suffisamment solide afin de recevoir la porte et ses fixations. L'installateur est également responsable de l'utilisation des éléments de fixation appropriés selon le support (pierre, béton, acier, bois). Aucune spécification ne figurera dès lors dans la rubrique consacrée aux illustrations.

Poids de la porte* pour la charge sur le toit: 510 N/ m²

En utilisant des lames de porte entre 7-14 kg/m²

7. Assemblage du kit de rails

Si vous avez reçu un ensemble constitué du kit de rails, vous pouvez passer cette rubrique.

Si vous construisez votre propre kit de rails, veuillez suivre les étapes figurant ci-dessous :

Forage:

⚠ utilisez un boulon M8 (14010 ou 14023) et un écrou (14022 ou 14013) tous les 650 mm (max.) entre les connexions inférieures, forez préalablement à Ø8,5 mm :

Kit de rails verticaux: connexion entre, série Angle vertical 290030 et série Rail 22000

Kit de rails horizontaux: connexion entre, série Courbe 215091 et série Rail-C 220016

Connexion entre la série Angle vertical 290030 et les crochets de connexion 235300 - 235307

Utilisez 1 boulon / écrou M8 (comme ci-dessus) entre le rail et le crochet de connexion et 1 boulon /écrou M8 (comme ci-dessus) entre l'angle vertical et le crochet de connexion.



Pour de plus amples informations, cf. le livre de production technique

Rivetage:

⚠ taille minimale des rivets =5 mm, tous les 650 mm (max.) entre les connexions inférieures.

Les rivets doivent être fixés conformément aux instructions / au manuel de l'équipement à riveter.

Kit de rails verticaux: connexion entre, série Angle vertical 290030 et série Rail 22000

Kit de rails horizontaux: connexion entre, série Courbe 215091 et série Rail-C 220016

Connexion entre la série Angle vertical 290030 et les crochets de connexion 235300 - 235307

Utilisez 1 rivet (comme ci-dessus) entre le rail et le crochet de connexion et 2 rivets (comme ci-dessus) répartis entre l'angle vertical et le crochet de connexion.



Pour de plus amples informations, cf. le livre de production technique

8. Assemblage du panneau



Les panneaux doivent être assemblés conformément au manuel d'assemblage pour panneaux industriels

9. Gamme d'application

Ce kit de matériel a été développé pour une utilisation commerciale

SL
Largeur maximale
8500 mm
Hauteur maximale
7000 mm
Surface maximale de l'ouvrant
48 m ²
Poids maximal de la porte
660 kg
Ecart de température maximale à l'extérieur*
-20 °C / +50 °C
Humidité relative
5 - 90%

* D'importantes différences de température entre l'intérieur et l'extérieur sont susceptibles de bomber des éléments au niveau des panneaux (effet bimétallique). Les panneaux de couleur sombre sont en particulier sujets à ce souci et devraient être évités. Veuillez manipuler les éléments avec soin car il existe un important risque de dégâts.

10. Transmission de l'objet

Remettez les documents suivants à l'utilisateur final :

- le présent manuel (assemblage, maintenance et désassemblage)
- le mode d'emploi
- le carnet d'entretien
- la déclaration de performance (DdP)
- la déclaration de conformité (DdC), uniquement dans le cas d'une porte motorisée.

11. Première utilisation

La première utilisation du système de porte industrielle doit être effectuée par l'installateur. Après cela, TOUS les utilisateurs doivent être formés. Pour de plus amples informations, veuillez vous référer au manuel d'utilisation.

12. Automatisation (en option)

Installez l'automatisme selon le manuel fourni par le fabricant.

REMARQUE:

En cas de panne d'électricité, il devrait être possible de déverrouiller la porte en utilisant l'ouverture d'urgence de l'automatisme. C'est le seul cas où l'ouvrant doit être actionné à l'aide d'une poignée. N'installez pas de cordon de tirage, de verrou coulissant ou de blocage sur une porte motorisée ou si vous le faites, le verrou ou le blocage doivent être équipés d'un commutateur électronique.

13. Réglages de l'unité de commande

Les réglages de l'unité de commande doivent s'opérer conformément au manuel du fabricant de l'automatisme. Veuillez noter que nos kits de matériel ont été homologués CE pour une utilisation avec les actionnements précisés dans notre rapport d'essai de type initial. Si vous choisissez un automatisme différent, l'installateur doit effectuer une analyse de la force maximale conformément à EN-12445 et à EN-12453.

14. Désassemblage

Le désassemblage doit uniquement s'effectuer par une entreprise / un installateur de portes industrielles qualifié(e). La porte doit être désassemblée selon un ordre inverse par rapport au montage tel qu'expliqué dans le manuel d'assemblage.

15. Élimination des déchets

Toutes les pièces du système de porte industrielle s'éliminent aisément. Veuillez prendre contact avec les autorités locales à ce sujet.

Procédure

- Relâchez la tension exercée sur les ressorts de torsion !
 - Insérez la 1e barre de tension dans la tête de mise sous tension
 - Maintenez fermement la 1ère barre de tension et dévissez prudemment les boulons

- situés sur la tête de mise sous tension puis transférez la tension du ressort.
- Placez à présent la 2e barre de tension dans le prochain orifice du mandrin de ressort et relâchez prudemment le ressort. Le ressort est relâché du haut vers le bas.
- De même, adaptez la 1ère barre de tension sur le mandrin de ressort et relâchez.
- Répétez les étapes 3-4 jusqu'à ce que le ressort soit relâché.
- Répétez les étapes 1-4 pour l'autre ressort (les autres ressorts).
- Enlevez l'automatisme conformément au manuel de ce dernier
- Retirez les boulons situés dans les tambours et retirez les câbles en acier des tambours. Faites attention à une quelconque tension résiduelle dans les câbles, vérifiez si les câbles sont détendus !
- Retirez l'unité de commande. Pour ce faire, retirez tout d'abord le coupleur et faites ensuite prudemment glisser les deux moitiés de l'arbre hors des plaques d'appui. Ayez à l'esprit que les composants peuvent glisser le long de l'arbre !
- Retirez les sections de panneau du haut vers le bas. Pour ce faire, enlevez les supports à galets et les charnières centrales.
- Retirez le kit de rails horizontaux
- Retirez le kit de rails verticaux

16. Entretien et Mises en garde

Conformément aux normes de l'UE, le système de porte industrielle doit être entretenu et vérifié régulièrement, à compter de la première utilisation et selon l'intervalle d'entretien précisé par l'installateur.

Les entretiens doivent faire l'objet d'une confirmation écrite. Sauf mention contraire, l'entretien doit être exclusivement effectué par une entreprise / un installateur de porte industrielle qualifié(e).

Les crochets et autres composants fixés aux ressorts de torsion et aux câbles sont soumis à des contraintes extrêmes. Les ressorts placés sous tension supportent une tension élevée, soyez toujours très prudent et veillez à ce que la barre de tension (# 12025) soit bien maintenue et utilisez le bon côté de la barre (en fonction du mandrin de ressort utilisé). Lorsque vous vérifiez le système de porte industrielle, déconnectez toujours l'alimentation électrique principale et veillez à ce qu'elle soit sécurisée contre toute remise en service sans que vous ne le sachiez.

Directement après l'installation (Par Installateur):

- Lubrifiez la partie mobile des rails (conseil: aérosol PTFE)
- Lubrifiez les roulements et les arbres porte-galets (conseil: aérosol PTFE)

- Lubrifiez les axes des charnières intermédiaires et latérales (conseil: aérosol PTFE)
- Lubrifiez le roulement de l'arbre (conseil: aérosol PTFE)
- Lubrifiez les joints en caoutchouc (conseil: graisse spéciale pour caoutchouc ou vaseline)

Après 3 mois (Par Installateur):

- Vérifiez le système d'équilibrage / retendez les ressorts
- Procédez à une inspection visuelle complète
- Ajuster la roue dentée du parachute ressort

Tous les 6 mois (Par Utilisateur):

- Vérifiez les joints latéraux, le joint supérieur et le joint inférieur quant à la présence de détériorations, d'usure ou de déchirures
- Lubrifiez la partie mobile des rails (conseil: aérosol PTFE)
- Lubrifiez les roulements et les arbres porte-galets (conseil: aérosol PTFE)
- Lubrifiez les axes des charnières intermédiaires et latérales (conseil: aérosol PTFE)
- Lubrifiez les joints en caoutchouc (conseil: graisse spéciale pour caoutchouc ou talc en poudre)
- Nettoyez les panneaux (conseil: shampoing pour voiture avec de l'eau), n'utilisez aucun détergent agressif
- Enduisez les panneaux de cire (conseil: cire pour voiture)
- Enlevez la crasse de la porte et des zones avoisinantes

Tous les 12 mois ou tous les 7 500 cycles d'utilisation de la porte (Par Installateur):

- Vérifiez les câbles ainsi que les connexions d'extrémité des câbles quant à la présence d'usure, de détériorations ou de déchirures
- Vérifiez les points de connexion du câble sur le crochet inférieur ou le dispositif de sécurité par câble et l'enrouleur de câble
- Vérifiez les dispositifs de sécurité à ressort conformément au manuel distinct
 - Vérifiez la position de la roue dentée
 - Vérifiez le fonctionnement du dispositif de réception
 - Vérifiez la connexion par boulon et vis du dispositif de sécurité à ressort
- Vérifiez le dispositif de sécurité par câble conformément au manuel distinct
 - Vérifiez le fonctionnement du dispositif de sécurité par câble
 - Vérifiez la position du couteau du dispositif de sécurité par câble
 - Vérifiez la position de l'axe de charnière
- l'équilibre de la porte et réglez-le si nécessaire / vérifiez le fonctionnement manuel

- Vérifiez les charnières quant à la présence de brisures, d'usure et de déchirures
- Vérifiez le système à poulie (si présent) quant à la présence de détériorations, d'usure ou de déchirures
- Vérifiez ou testez les fixations des ressorts aux tampons de ressort
- Vérifiez les galets quant à la présence de détériorations, d'usure ou de déchirures mais également en termes d'espace libre pour le fonctionnement
- Vérifiez les forces de fermeture des bords de fermeture principale (uniquement si fonctionnement électrique et sans fonction de l'homme mort)
- Vérifiez la suspension au départ du rail horizontal vers le plafond
 - Vérifiez les profilés de suspension quant à la présence de brisures ou de détériorations
 - Vérifiez la connexion par boulon et écrou
- Vérifiez les joints latéraux, le joint supérieur et le joint inférieur quant à la présence de détériorations, d'usure ou de déchirures
- Vérifiez les panneaux quant à la présence de détériorations, d'usure et de déchirures
- Lubrifiez les ressorts de torsion, les roulements des galets, les pièces mobiles du rail ainsi que le roulement sur l'arbre

Tous les 24 mois ou tous les 15 000 cycles d'utilisation de la porte (Par Installateur):

- Vérifiez les câbles ainsi que les connexions d'extrémité des câbles quant à la présence d'usure, de détériorations ou de déchirures
- Vérifiez les points de connexion du câble sur le crochet inférieur ou le dispositif de sécurité par câble et l'enrouleur de câble
- Vérifiez les dispositifs de sécurité à ressort conformément au manuel distinct
 - Vérifiez la position de la roue à rochet
 - Vérifiez le fonctionnement du dispositif de réception
 - Vérifiez la connexion par boulon et vis du dispositif de sécurité à ressort
- Vérifiez le dispositif de sécurité par câble conformément au manuel distinct
 - Vérifiez le fonctionnement du dispositif de sécurité par câble
 - Vérifiez la position du couteau du dispositif de sécurité par câble
 - Vérifiez la position de l'axe de charnière
- Vérifiez l'équilibre de la porte et réglez-le si nécessaire / vérifiez le fonctionnement manuel
- Vérifiez les charnières quant à la présence de brisures, d'usure et de déchirures
- Vérifiez le système à poulie (si présent) quant à la présence de détériorations, d'usure et de déchirures

- Vérifiez ou testez les fixations des ressorts aux tampons de ressort
- Vérifiez les galets quant à la présence de détériorations, d'usure ou de déchirures mais également en termes d'espace libre pour le fonctionnement
- Vérifiez les forces de fermeture des bords de fermeture principale (uniquement si fonctionnement électrique et sans fonction de l'homme mort)
- Vérifiez la suspension au départ du rail horizontal vers le plafond
 - Vérifiez les profilés de suspension quant à la présence de brisures ou de détériorations
 - Vérifiez la connexion par boulon et écrou
- Vérifiez l'arbre quant à la présence de détériorations, d'usure et de déchirures
- Vérifiez la connexion du kit de rails
- Vérifiez et refixez le boulon du coupleur
- Vérifiez les joints latéraux, le joint supérieur et le joint inférieur quant à la présence de détériorations, d'usure ou de déchirures
- Vérifiez les panneaux quant à la présence de détériorations, d'usure et de déchirures
- Lubrifiez les ressorts de torsion, les roulements des galets, les pièces mobiles du rail ainsi que le roulement sur l'arbre

17. Remplacement de pièces

Utilisez exclusivement des pièces de rechange DOCO d'origine! L'entretien doit être exclusivement effectué par une entreprise / un installateur de porte industrielle qualifié(e).

Après la rupture d'un ressort:

Référez-vous aux instructions du manuel distinct (ou téléchargez le manuel sur www.doco-international.com)

- Remplacez les ressorts et le dispositif de sécurité à ressort
- Vérifiez l'arbre quant à la présence de détériorations et remplacez-le si nécessaire.

Après la rupture d'un câble:

Référez-vous aux instructions du manuel distinct (ou téléchargez le manuel sur www.doco-international.com)

- Remplacez le câble et sa connexion
- Remplacez le dispositif de sécurité par câble complet
- Vérifiez les rails et entretenez ou remplacez-les.

Contenuto

1. Termini e condizioni	23
2. Simboli	23
3. Avvertenze generali	23
4. Requisiti di sicurezza	23
5. Linee guida	24
6. Fissaggio del materiale all'edificio.....	24
7. Set montaggio guida	24
8. Montaggio del pannello.....	25
9. Gamma di applicazione	25
10. Trasferimento	25
11. Primo utilizzo.....	25
12. Operatore elettrico (optional)	25
13. Impostazioni dell'unità di controllo	25
14. Smontaggio	25
15. Smaltimento	25
16. Manutenzione e Avvertenze	26
17. Sostituzioni di parti.....	27
18. Elementi di fissaggio e strumenti.....	43
19. Assemblaggio	45

1. Termini e condizioni

Le nostre condizioni generali di consegna e di pagamento sono applicabili su tutte le nostre offerte, accordi o successive revisioni. Una copia dei nostri termini e condizioni è disponibile su richiesta o può essere scaricata dal nostro sito web:

www.doco-international.com

2. Simboli



Pericolo / attenzione



Guardare / controllare



Consultare il manuale



Passaggio obbligatorio



Passaggio opzionale



Operazione a mano



Operazione da operatore elettrico



Operazione da gru catena

ALT.

Passaggio alternativo



Documentazione lavorazione porta



Sinistra + destra

3. Avvertenze generali

Questo manuale è stato preparato per l'utilizzo da parte di persone qualificate e quindi non da apprendisti o "hobbisti". Le persone che montano, smontano, fanno manutenzione o mettono in funzione il sistema della porta devono leggere attentamente, capire e seguire questo manuale. Per evitare lesioni personali gravi, leggere attentamente e osservare tutte le indicazioni e le avvertenze contenute in questo manuale.

- Questo manuale descrive il montaggio, lo smontaggio e la manutenzione del sistema di porta industriale, che può essere integrato da altri manuali, ad esempio il manuale d'uso del dispositivo di interruzione a molla, dispositivo di rottura cavo e il manuale per l'operatore (se applicabile).
- Il sistema di porta industriale è stato progettato in conformità con le più recenti norme europee, ma dovete controllare voi stessi se questa norma corrisponde alla norma nazionale locale.
- Tutte le misure sono in millimetri se non diversamente specificato.
- Dopo l'installazione, assicurarsi che l'etichetta di marcatura CE sia stata compilata e allegata.
- Conservare questo manuale in un luogo sicuro, vicino alla porta industriale.
- Con riserva di modifiche tecniche, senza preavviso scritto.

4. Requisiti di sicurezza

- Questo sistema di porta industriale può essere montato, collegato, messo in funzione e gestito da persone qualificate.
- Assicurarsi che l'alimentazione sia spenta e rimanga spento mentre si effettua il lavoro elettrico!
- Non escludere mai i dispositivi di sicurezza!
- Aggiungere o tralasciare delle parti può pregiudicare il funzionamento della porta in modo negativo e quindi la sicurezza

del portone sezionale installato. Ciò è quindi fortemente sconsigliato!

- Alcune parti possono contenere bordi taglienti: utilizzare guanti protettivi.
- Tutti i riferimenti alla manipolazione della porta/componente all'interno di questo manuale sono sempre visti come se si guardasse da dentro verso fuori.
- Non usare mai il sistema di porta industriale in caso di un danno visivo, soprattutto sui cavi e dispositivi di sicurezza.
- Quando si esegue il montaggio/manutenzione, indossare sempre almeno guanti e stivali di sicurezza e durante la foratura/taglio indossare occhiali di sicurezza!
- Assicurarsi che sia sempre possibile eseguire il proprio lavoro in un ambiente stabile.
- Fissare il luogo di montaggio/manutenzione con nastro di sicurezza per tenere gli altri a distanza.
- La manutenzione deve essere eseguita solo da una ditta di installazione qualificata e/o da persone qualificate.
- Assicurarsi che ci sia abbastanza luce.
- Utilizzare solo strumenti appropriati, soprattutto quando si mettono in tensione le molle di torsione.

5. Linee guida



DOCOC International ha effettuato il "Test Prodotto" di questa porta (Testing di tipo iniziale = ITTr) presso l'istituto RISE in Svezia, noto come Organismo Notificato n° 0402.

I documenti riguardanti questo ITTr, in consultazione con DOCOC, possono essere trasferiti alla società che produce la porta. Ciò è necessario per completare il Fascicolo Tecnico.

NOTA: Il CE viene approvato usando solo i componenti DOCOC corretti.

⚠ E' responsabilità della società di installazione garantire che l'operatore elettrico e i pannelli scelti siano conformi alla norma di prodotto EN13241-1 ed abbiano effettuato la necessaria ITTr.

Se si deve installare un portoncino pedonale, è responsabilità della ditta installatrice garantire che la porta completa sia conforme alla norma di prodotto EN13241-1 ed abbia effettuato la necessaria ITT.

6. Fissaggio del materiale all'edificio

⚠ I fissaggi necessari per fissare il sistema porta industriale all'edificio e/o al soffitto, non sono inclusi!

E' responsabilità della ditta installatrice assicurarsi che la struttura dell'edificio sia sicura/abbastanza forte, da accettare la porta e i suoi fissaggi. L'installatore è responsabile anche dell'utilizzo dei materiali di fissaggio corretti sulla fondazione adeguata (pietra, calcestruzzo, acciaio, legno). Nella sezione dell'immagine non ci sarà quindi alcuna specifica inclusa.

Peso* della porta per il carico sul tetto: 510 N/m²

Con ante di porta tra 7-14 kg/m²

7. Set montaggio guida

Se avete ricevuto un set montaggio guida è possibile ignorare questa sezione. Se costruite il vostro set guida seguite le prossime linee guida per la costruzione:

Foratura:

⚠ Usare bullone M8(14010 o 14023) e dadi (14.022 o 14.013) ogni 650 millimetri (max.) tra le connessioni di seguito, preforatura Ø8,5mm:

Montaggio guida verticale: collegamento tra angolo verticale serie 290030 e guida serie 22000

Montaggio guida orizzontale: collegamento tra curva serie 215091 e guida C serie 220016

Collegamento tra angolo verticale serie 290030 e staffe di collegamento 235300 - 235307

Utilizzare 1 bulloni/dadi M8 (come sopra) tra guida e staffa di collegamento e 1 bulloni/dadi M8(come sopra) distribuiti tra l'angolo verticale e la staffa di collegamento.



Per ulteriori informazioni si veda: Libro produzione tecnica

Rivettatura:

⚠ Dimensione minima rivetto = 5mm, ogni 650 millimetri (max.) tra le connessioni qui sotto.

I rivetti devono essere fissati in conformità con le istruzioni/manuale del componente rivetto

Montaggio guida verticale: collegamento tra angolo verticale serie 290030 e guida serie 22000

Montaggio guida orizzontale: collegamento tra curva serie 215091 e guida C serie 220016

Collegamento tra angolo verticale serie 290030 e staffe di collegamento 235300-235307

Utilizzare 1 rivetto (come sopra) tra il guida e la staffa di collegamento e 2 rivetti (come sopra) distribuiti

tra l'angolo verticale e la staffa di collegamento.



Per ulteriori informazioni si veda: Libro produzione tecnica

8. Montaggio del pannello



I pannelli devono essere assemblati secondo il Manuale di montaggio pannello industriale

9. Gamma di applicazione

Questo set hardware è stato sviluppato per un uso commerciale

SL
Larghezza massima
8500 mm
Altezza massima
7000 mm
Area massima anta
48 m ²
Peso anta porta max
660 kg
Massima gamma temperatura esterna*
-20 °C / +50 °C
Umidità relativa
5 - 90%

* Grandi differenze di temperatura tra interno ed esterno possono causare deformazioni alle sezioni del pannello (effetto bi-metallo). In particolare, i pannelli di colore scuro sono sensibili a questo problema e dovrebbero essere evitati. Si deve prestare attenzione durante la movimentazione manuale in quanto vi è un grosso rischio di danni.

10. Trasferimento

Trasferire la seguente documentazione all'utente finale:

- Questo manuale (montaggio, manutenzione e smontaggio)
- Istruzioni per l'uso
- Registro della manutenzione
- Dichiarazione di prestazione (DoP)
- Dichiarazione di conformità (DoC), solo in caso di porta alimentata elettricamente.

11. Primo utilizzo

Il primo utilizzo del Sistema di porta industriale

deve essere effettuato dall'installatore. Dopodiché TUTTI gli utenti devono essere istruiti. Per maggiori informazioni consultare il manuale utente.

12. Operatore elettrico (optional)

Montare l'operatore secondo il manuale del fornitore. NOTA: In caso di mancanza di alimentazione dovrebbe essere possibile sbloccare la porta usando lo sblocco di emergenza dall'operatore. Solo in tal caso l'anta può essere azionata con una maniglia. Non inserire un cavo di tiro, sparare un bullone o bloccare ad una porta ad azionamento elettrico, altrimenti il bullone o il blocco devono essere dotati di interruttore elettrico.

13. Impostazioni dell'unità di controllo

Le impostazioni all'unità di controllo devono essere eseguite in conformità con il manuale dell'operatore del produttore. Si prega di notare che i nostri kit hardware sono stati approvati CE per l'uso con gli operatori indicati nel nostro rapporto ITTr. Qualora si scelga un operatore diverso l'installatore deve svolgere un'analisi di forza di picco in conformità con la norma EN-12445 ed EN-12453.

14. Smontaggio

Lo smontaggio deve essere effettuato esclusivamente da un installatore/azienda qualificato di porta industriale. La porta deve essere smontata in ordine inverso al manuale di montaggio.

15. Smaltimento

Tutte le parti di questo sistema di porta industriale possono essere facilmente smaltite. Si prega di consultare le autorità locali in materia.

Procedura

- Tensione di rilascio delle molle di torsione!
 - Inserire la prima barra di tensionamento nella testa di tensionamento
 - Mantenere una buona presa sulla prima barra di tensionamento e svitare con cautela le viti sulla testa di tensionamento e trasferire la tensione della molla.
 - A questo punto posizionare la seconda barra di tensionamento nel successivo foro della spina della molla e rilasciare con cautela la molla. La molla viene rilasciata dall'alto verso il basso.
 - Anche in questo caso, inserire la prima barra di tensionamento sulla spina della molla e rilasciare.

- Ripetere i passaggi 3-4 fino a quando la molla viene rilasciata.
- Ripetere i passaggi 1-4 per l'altra molla (molle).
- Togliere l'operatore elettrico, seguendo il manuale dell'operatore elettrico
- Rilasciare i bulloni nei tamburi del cavo e rimuovere i cavi di acciaio dai tamburi del cavo. Prestare attenzione ad ogni tensione residua nei cavi, controllare se i cavi sono sciolti!
- Rimuovere il gruppo di alimentazione. Per fare ciò, rimuovere prima l'accoppiatore e quindi far scorrere con attenzione le due metà dell'albero fuori delle piastre portanti. Accertatevi che i componenti possano scorrere lungo l'albero!
- Rimuovere le sezioni del pannello dall'alto verso il basso. Raggiungere questo obiettivo rimuovendo i supporti dei rulli e le cerniere centrali.
- Rimuovere il set guida orizzontale
- Rimuovere il set guida verticale

16. Manutenzione e Avvertenze

In conformità con le norme dell'UE, i sistemi di porte industriali devono essere mantenuti e controllati regolarmente, fin dal primo momento di utilizzo, sulla base del programma di manutenzione indicato dall'installatore. La manutenzione deve essere registrata per iscritto. La manutenzione deve essere effettuata solo da una società/installatore qualificato di porta industriale, a meno che non sia diversamente specificato.

Le staffe e altri componenti che sono collegati a molle di torsione e a cavi sono sotto estrema tensione. Le molle in tensione portano un'alta tensione; bisogna stare sempre molto attenti, e assicurarsi che le barre di tensionamento (# 12025) siano ben mantenute e utilizzare il lato corretto della barra (dipende dalla spina della molla utilizzata). Quando si controlla il sistema della porta industriale, staccare sempre l'alimentazione elettrica principale e assicurarsi che sia bloccata contro il riavvio involontario.

Subito dopo l'installazione (Da Installatore):

- Lubrificare la parte di scorrimento delle guide (consiglio: PTFE)
- Lubrificare i cuscinetti e l'albero dei rulli (consiglio: PTFE)
- Lubrificare i perni delle cerniere da quelle intermedie a quelle laterali (consiglio: PTFE)
- Lubrificare il cuscinetto dell'albero (consiglio: PTFE)
- Lubrificare le gomme di tenuta (consiglio: grasso speciale per gomma o vaselina)

Dopo 3 mesi (Da Installatore):

- Controllare il sistema di bilanciamento/ritensionamento molle (rilassamento molle)

- Controllo visivo completo
- Regolare la ruota dentata del dispositivo anti rottura molle

Ogni 6 mesi (Da Utente):

- Controllare le guarnizioni laterali, superiori e inferiori per danni o usura
- Lubrificare la parte di scorrimento delle guide (consiglio: PTFE)
- Lubrificare i cuscinetti e l'albero dei rulli (consiglio: PTFE)
- Lubrificare i perni delle cerniere da quelle intermedie a quelle laterali (consiglio: spray PTFE)
- Lubrificare le gomme di tenuta (consiglio: grasso speciale per gomma o polvere di talco)
- Pulire i pannelli (consiglio: shampoo per la pulizia delle auto con acqua), non utilizzare detergenti aggressivi
- Applicare cera ai pannelli (consiglio: cera per auto)
- Rimuovere lo sporco dalla porta e dintorni

Ogni 12 mesi o ogni 7500 cicli di porte (Da Installatore):

- Controllare i cavi e le connessioni terminali del cavo per danni o usura
- Controllare i punti di collegamento dei cavi sulla staffa inferiore o il dispositivo di interruzione del cavo e il tamburo del cavo
- Verificare i dispositivi di rottura della molla in conformità con il manuale separato
 - Controllare la posizione della ruota dentata
 - Controllare la funzione del collettore
 - Controllare il bullone e le viti di collegamento della SBD
- Verificare il dispositivo di rottura del cavo in conformità con il manuale separato
 - Controllare il funzionamento del dispositivo di rottura cavo
 - Controllare la posizione della lama del dispositivo rottura cavi
 - Controllare la posizione del perno della cerniera
- Controllare il bilanciamento della porta e regolare se necessario/controllare il funzionamento manuale
- Controllare le cerniere per rottura e usura
- Controllare il sistema Pulley (se presente) per danni o usura
- Controllare o testare i fissaggi delle molle ai connettori a molla
- Controllare i rulli per danni o usura e libertà di movimento
- Controllare le forze di chiusura del bordo principale di chiusura (Solo con funzionamento elettrico e funzione di non uomo morto)
- Controllare la sospensione dalla guida orizzontale al soffitto

- Controllare i profili di sospensione per rottura o danni
- Controllare il collegamento del bullone e dado
- Controllare le guarnizioni laterali, superiori e inferiori per danni o usura
- Controllare i pannelli per danni e usura
- Lubrificare le molle a torsione, cuscinetti di rulli, parti di scorrimento della guida e cuscinetto sull'albero

Ogni 24 mesi o ogni 15000 cicli di porte (Da Installatore):

- Controllare i cavi e le connessioni terminali del cavo per danni o usura
- Controllare i punti di collegamento dei cavi sulla staffa inferiore o il dispositivo di interruzione del cavo e il tamburo del cavo
- Verificare i dispositivi di rottura della molla in conformità con il manuale separato
 - Controllare la posizione della ruota dentata
 - Controllare la funzione del collettore
 - Controllare il bullone e le viti di collegamento della SBD
- Verificare il dispositivo di rottura del cavo in conformità con il manuale separato
 - Controllare il funzionamento del dispositivo di rottura cavo
 - Controllare la posizione della lama del dispositivo rottura cavi
 - Controllare la posizione del perno della cerniera
- Controllare il bilanciamento della porta e regolare se necessario/controllare il funzionamento manuale
- Controllare le cerniere per rottura e usura
- Controllare il sistema Pulley (se presente) per danni o usura
- Controllare o testare i fissaggi delle molle ai connettori a molla
- Controllare i rulli per danni o usura e libertà di movimento
- Controllare le forze di chiusura del bordo principale di chiusura (Solo con funzionamento elettrico e funzione di non uomo morto)
- Controllare la sospensione dalla guida orizzontale al soffitto
 - Controllare i profili di sospensione per rottura o danni
 - Controllare il collegamento del bullone e dado
- Controllare l'albero per danni da rottura e usura
- Controllare il collegamento del set guida
- Controllare e ri-fissare il bullone del raccordo
- Controllare le guarnizioni laterali, superiori e inferiori per danni o usura
- Controllare i pannelli per danni e usura

- Lubrificare le molle a torsione, cuscinetti di rulli, parti di scorrimento della guida e cuscinetto sull'albero

17. Sostituzioni di parti

Utilizzare solo ricambi originali DOCO! La manutenzione deve essere effettuata solo da un'azienda/installatore qualificato di porta industriale

Dopo la rottura della molla:

Vedere le istruzioni d'uso (o scaricare il manuale da internet www.doco-international.com)

- Sostituire le molle ed il dispositivo di rottura molla
- Controllare l'albero per danni e sostituirlo se necessario.

Dopo rottura del cavo:

Vedere le istruzioni d'uso (o scaricare il manuale da internet www.doco-international.com)

- Sostituire il cavo con un collegamento
- Sostituire tutto il dispositivo di rottura cavo
- Controllare le guide e fare manutenzione o sostituire le guide.

Inhoud

1. Voorwaarden	28
2. Symbolen.....	28
3. Algemene waarschuwingen.....	28
4. Veiligheidseisen voor montage en eerste gebruik.....	28
5. Richtlijnen.....	29
6. Bevestigingsmateriaal voor de constructie.....	29
7. Montage railset.....	29
8. Montage panelen.....	30
9. Toepassingsbereik	30
10. Overdracht.....	30
11. Eerste gebruik.....	30
12. Elektrisch bedieningsmechanisme (optioneel)	30
13. Instellingen regeleenheid	30
14. Demontage	30
15. Afvoeren	30
16. Onderhoud en Waarschuwingen	31
17. Vervangen van onderdelen	32
18. Bevestigingsmiddelen en gereedschap .	43
19. Montage	45

1. Voorwaarden

Onze algemene voorwaarden m.b.t. levering en betaling zijn van toepassing op al onze offertes, overeenkomsten of daaropvolgende herzieningen. Een exemplaar van onze voorwaarden is op verzoek verkrijgbaar of kan worden gedownload van onze website: www.doco-international.com

Wijzigingen onder voorbehoud.

2. Symbolen



Danger / Attention



Look / Check



Consult manual

1

Mandatory step

1

Optional step



Manual operation



Electrical operation



Chain hoist operation

ALT.

Alternative step



Door Processing Document

L+R

Links + rechts

3. Algemene waarschuwingen

Deze handleiding is bedoeld voor gebruik door gekwalificeerde personen, dus niet voor personeel in opleiding of 'doe-het-zelvers'. De persoon die het deursysteem monteert, demonteert, onderhoudt of in bedrijf stelt, moet deze handleiding zorgvuldig lezen, begrijpen en opvolgen. Lees de aanwijzingen en waarschuwingen in deze handleiding zorgvuldig en volg deze op om ernstig lichamelijk letsel te voorkomen.

- In deze handleiding wordt de montage, de demontage en het onderhoud van uw Industriële Deursysteem beschreven. Deze handleiding wordt eventueel aangevuld door andere handleidingen, bijvoorbeeld de handleiding van de veerbreuk beveiliging, de kabelbreukbeveiliging en het bedieningsmechanisme (indien van toepassing).
- Het Industriële Deursysteem is ontworpen in overeenstemming met de nieuwste Europese normen. U dient echter zelf te controleren of deze norm overeenkomt met de norm die voor uw land geldt.
- Alle afmetingen zijn in millimeter, tenzij anders vermeld.
- Controleer na installatie of de CE-markering is ingevuld en aangebracht.
- Bewaar deze handleiding op een veilige plaats in de buurt van de industriële deur.
- Wijzigingen voorbehouden, zonder schriftelijke aankondiging.

4. Veiligheidseisen voor montage en eerste gebruik

- Dit Industriële Deursysteem mag alleen worden gemonteerd, aangesloten, in bedrijf gesteld en onderhouden door gekwalificeerde personen.

- Zorg dat de stroom is uitgeschakeld en uitgeschakeld blijft tijdens het uitvoeren van elektrische werkzaamheden!
- Overbrug veiligheidsinrichtingen niet!
- Het toevoegen of weglaten van onderdelen kan de werking van de deur en daarmee de veiligheid van de geïnstalleerde sectionaaldeur negatief beïnvloeden. Dit wordt daarom ten zeerste afgeraden!
- Sommige onderdelen kunnen scherpe randen hebben: gebruik veiligheidshandschoenen
- Alle verwijzingen naar de deur/onderdelen in deze handleiding zijn altijd zoals gezien van binnen naar buiten.
- Gebruik het Industriële Deursysteem nooit in geval van visueel waarneembare schade, met name aan kabels en veiligheidsinrichtingen.
- Draag bij het uitvoeren van montage/onderhoud altijd ten minste handschoenen en veiligheidsschoenen. Draag bij boren/snijden een veiligheidsbril!
- Zorg dat u uw werk altijd in een stabiele omgeving kunt uitvoeren.
- Zet de montage-/onderhoudslocatie af met veiligheidslint om anderen op afstand te houden.
- Onderhoud mag alleen worden uitgevoerd door een gekwalificeerd installatiebedrijf en/of gekwalificeerd personeel.
- Zorg voor voldoende verlichting.
- Gebruik alleen geschikt gereedschap, met name bij het opspannen van de torsieveren.

5. Richtlijnen



DOCOC International heeft de "Producttest" voor deze deur (Initial Type Testing = ITT) laten uitvoeren door het RISE-instituut in Zweden, bekend als aangemelde instantie nr. 0402.

Documentatie m.b.t. dit ITT-rapport kan, in overleg met DOCO, worden overhandigd aan het bedrijf dat de deur produceert. Dit is nodig om de Technische Documentatie te completeren.

OPMERKING: Alleen CE-gemarkeerd indien de juiste DOCO-onderdelen worden gebruikt.

! Het is de verantwoordelijkheid van het installatiebedrijf om ervoor te zorgen dat het gekozen elektrische bedieningsmechanisme en de panelen voldoen aan de productnorm EN13241-1 en dat de noodzakelijke ITT's zijn uitgevoerd.

Als er een klinket moet worden geïnstalleerd, is het de verantwoordelijkheid van het installatiebedrijf om ervoor te zorgen dat de gehele deur voldoet aan de productnorm EN13241-1 en dat de noodzakelijke ITT's zijn uitgevoerd.

6. Bevestigingsmateriaal voor de constructie

! Het benodigde bevestigingsmateriaal om het Industriële Deursysteem aan het gebouw en/of het plafond te bevestigen is niet inbegrepen!

Het is de verantwoordelijkheid van het installatiebedrijf om ervoor te zorgen dat de constructie van het gebouw betrouwbaar/sterk genoeg is om de deur en het bevestigingsmateriaal ervan te dragen. De installateur is tevens verantwoordelijk voor het gebruik van het juiste bevestigingsmateriaal op de juiste ondergrond (steen, beton, staal, hout).

In het afbeeldingendeel is daarom geen specificatie hiervan opgenomen.

Deurgewicht* voor daklast: 510 N/m²

Bij gebruik van deurvleugels tussen 7-14 kg/m²

7. Montage railset

Wanneer u een voorgeassembleerde railset hebt ontvangen, kunt u dit gedeelte overslaan.

Wanneer u uw eigen railset bouwt, volg dan de onderstaande bouw instructies:

Boren:

! Gebruik M8-bouten (14010 of 14023) en moeren (14022 of 14013) om de 650 mm (max.) tussen onderstaande verbindingen, voorboren Ø 8,5 mm:

Verticale railset: verbinding tussen verticaal hoekkozijn 290030-serie en rail 22000-serie.

Horizontale railset: verbinding tussen bocht 215091-serie en C-profiel 220016-serie.

Verbinding tussen verticaal hoekkozijn 290030-serie en verbindingsschroeven 235300 - 235307

Gebruik 1 M8-bout/moer (zie boven) tussen rail en verbindingsschroef en 1 M8-bout/moer (zie boven) tussen verticaal hoekkozijn en verbindingsschroef.



Zie voor meer informatie: *Technisch Productieboek*

Klinken

! Minimale klinknagelafmeting: 5 mm, om de 650 mm (max.) tussen onderstaande verbindingen.


Klinknagels moeten worden bevestigd volgens de instructies/handleiding van de klinkapparatuur.

Verticale railset: verbinding tussen verticaal hoekkozijn 290030-serie en rail 22000-serie.


Horizontale railset: verbinding tussen bocht 215091-serie en C-profiel 220016-serie.

Verbinding tussen verticaal hoekkozijn 290030-serie en verbindingsschroeven 235300 - 235307

Gebruik 1 klinknagel (zie boven) tussen rail en verbindingsplaat en 2 klinknagels (zie boven) verdeeld tussen verticaal hoekkozijn en verbindingsplaat.

 Zie voor meer informatie: *Technisch Productieboek*

8. Montage panelen

 De panelen moeten worden gemonteerd volgens de Montagehandleiding industriële panelen.

9. Toepassingsbereik

Deze set hang- en sluitwerk is ontwikkeld voor commercieel gebruik

SL
Maximale breedte
8500 mm
Maximale hoogte
7000 mm
Maximaal oppervlak deurvleugel
48 m ²
Gewicht deurvleugel: maximaal
660 kg
Maximaal temperatuurbereik buiten*
-20 °C / +50 °C
Relatieve vochtigheid
5 - 90%

* Grote verschillen in temperatuur tussen binnen en buiten kunnen leiden tot doorbuigen van de paneelgedeeltes (bimetaaleffect). Met name donkergekleurde panelen zijn vatbaar voor dit probleem en moeten daarom worden vermeden. Bij handmatige bediening is grote voorzichtigheid geboden, aangezien er een groot risico van schade is.

10. Overdracht

Overhandig de volgende documenten aan de eindgebruiker:

- Deze handleiding (montage, onderhoud en demontage);
- Gebruikershandleiding;
- Servicelogboek;
- Prestatieverklaring (Declaration of Performance, oftewel DoP);
- Conformiteitsverklaring, alleen in geval van een elektrisch bediende deur.

11. Eerste gebruik

Het eerste gebruik van het Industriële Deursysteem moet worden uitgevoerd door de installateur. Daarna moeten ALLE gebruikers worden geïnstrueerd. Raadpleeg voor meer informatie de gebruikershandleiding.

12. Elektrisch bedieningsmechanisme (optioneel)

Monteer het bedieningsmechanisme volgens de handleiding van de leverancier.

OPMERKING:

In geval van stroomuitval moet het mogelijk zijn de deur te ontgrendelen d.m.v. de noodontgrendeling van het bedieningsmechanisme.

Alleen in dat geval mag de deurvleugel worden bediend met een hendel.

Breng geen trekkoord, schuifgrendel of slot aan op een elektrische bediende deur, tenzij de schuifgrendel of het slot is voorzien van een elektrische schakelaar.

13. Instellingen regeleenheid

Het instellen van de regeleenheid moet worden uitgevoerd volgens de handleiding van de fabrikant van het bedieningsmechanisme.

Let op: onzesets hang- en sluitwerk zijn CE-gemarkeerd voor gebruik met de bedieningsmechanismen die in ons ITT-rapport zijn gespecificeerd. Wanneer er voor een ander bedieningsmechanisme wordt gekozen, moet de installateur een analyse van de piekkracht uitvoeren volgens EN-12445 en EN-12453.

14. Demontage

De demontage mag alleen worden uitgevoerd door een bedrijf/installateur dat/die gekwalificeerd is op het gebied van industriële deuren. De demontage van de deur vindt plaats in omgekeerde volgorde van de montage.

15. Afvoeren

Alle onderdelen van dit Industriële Deursysteem kunnen eenvoudig worden afgevoerd.

Raadpleeg hieromtrent de plaatselijke autoriteiten.

Procedure

- Ontspan de torsieveren!
 - Breng de 1e spanstang aan in de spankop.

- Houd de 1e spanstang goed vast en draai de bouten van de spankop voorzichtig los om de veerspanning over te dragen.
 - Plaats dan de 2e spanstang in het volgende gat van de veersteker en ontspan de veer voorzichtig. De veer wordt van boven naar beneden ontspannen.
 - Breng de 1e spanstang weer aan op de veersteker en ontspan deze.
 - Herhaal stap 3-4 tot de veer ontspannen is.
 - Herhaal stap 1-4 voor de andere veer (veren).
- Verwijder het elektrische bedieningsmechanisme volgens de bijbehorende handleiding.
 - Draai de bouten in de kabeltrommels los en verwijder de stalen kabels uit de kabeltrommels. Pas op voor eventuele restspanning in de kabels, controleer of de kabels slap zijn!
 - Verwijder de voedingseenheid. Doe dit door eerst het koppelstuk te verwijderen en vervolgens voorzichtig beide asheften uit de lagerplaten te schuiven. Pas op: er kunnen onderdelen langs de as glijden!
 - Verwijder de paneel delen van boven naar beneden. Doe dit door de looprolhouders en middenscharnieren te verwijderen.
 - Verwijder de horizontale railset.
 - Verwijder de verticale railset.

16. Onderhoud en Waarschuwingen

In overeenstemming met de EU-normen moeten industriële deursystemen regelmatig worden onderhouden en gecontroleerd, vanaf het eerste gebruik, gebaseerd op het aangegeven onderhoud door de installateur. Onderhoud moet schriftelijk worden vastgelegd. Onderhoud mag alleen worden uitgevoerd door een bedrijf/installateur dat/die gekwalificeerd is op het gebied van industriële deuren, tenzij anders vermeld.

Consoles en andere onderdelen die zijn bevestigd aan de torsieveren en kabels, staan onder extreme spanning. Gespannen veren staan onder grote spanning. Ga altijd zeer voorzichtig te werk en zorg dat de spanstangen (12025) goed onderhouden zijn en gebruik de juiste kant van de stang (afhankelijk van de gebruikte veersteker). Bij het controleren van het industriële deursysteem moet de hoofdstroomvoorziening altijd worden uitgeschakeld en worden beveiligd tegen onverwachte herinschakeling.

Direct na de installatie (Door Installateur):

- Smeer het bewegende deel van de rails (advies: PTFE)
- Smeer de lagers en de as van de looprollen (advies: PTFE)
- Smeer de pennen van de scharnieren van midden- en zijscharnieren (advies: PTFE)
- Smeer het lager van de as (advies: PTFE)

- Smeer de rubberen afdichtingen (advies: speciaal rubbervet of Vaseline)

Na 3 maanden (Door Installateur):

- Controleer het balanceersysteem / Span de veren aan (ontspan de veren)
- Voer visuele inspectie uit
- Het tandwiel van de veerbreekbeveiliging afstellen

Elke 6 maanden (Door Gebruiker):

- Controleer de afdichtingen aan de zijkant, bovenkant en onderkant op schade of slijtage
- Smeer het bewegende deel van de rails (advies: PTFE)
- Smeer de lagers en de as van de rollers (advies: PTFE)
- Smeer de pennen van de scharnieren van midden- en zijscharnieren (advies: PTFE-spray)
- Smeer de rubberen afdichtingen (advies: speciaal rubbervet of talkpoeder)
- Reinig de panelen (advies: autoshampoo en water), gebruik geen agressieve reinigingsmiddelen
- Breng was aan op de panelen (advies: autowax)
- Verwijder vuil van de deur en de omgeving ervan

Elke 12 maanden of elke 7500 deurcycli (Door Installateur):

- Controleer de kabels en de eindaansluitingen van de kabels op slijtage of schade
- Controleer de kabelverbindingpunten op de bodemconsole of kabelbreekbeveiliging en kabeltrommel
- Controleer de veerbreekbeveiligingen volgens de aparte handleiding
 - Controleer de positie van het palwiel
 - Controleer de werking van het vangmechanisme
 - Controleer de bout- en schroefverbindingen van de veerbreekbeveiliging
- Controleer de kabelbreekbeveiliging volgens de aparte handleiding
 - Controleer de werking van de kabelbreekbeveiliging
 - Controleer de positie van het mes van de kabelbreekbeveiliging
 - Controleer de positie van de scharnierpen
- Controleer de balans van de deur en stel deze indien nodig af / controleer de handmatige bediening
- Controleer de scharnieren op breuken en slijtage
- Controleer het katrolsysteem (indien aanwezig) op schade of slijtage
- Controleer of test de bevestigingen van de veren aan de veerstekers
- Controleer de looprollen op schade of slijtage en vrije bewegingsruimte
- Controleer de sluitkrachten van de hoofdsluitkant (alleen bij elektrische bediening zonder dodemansfunctie)
- Controleer de ophanging van de horizontale rail aan het plafond

- Controleer de afhangprofielen op breuken of schade
- Controleer de bout- en schroefverbinding
- Controleer de afdichtingen aan de zijkant, bovenkant en onderkant op schade of slijtage
- Controleer de panelen op beschadigingen en slijtage
- Smeer de torsieveren, lagers van looprollen, bewegende onderdelen van de rail en lagering op de as

Elke 24 maanden of elke 15.000 deurcycli (Door Installateur):

- Controleer de kabels en de eindaansluitingen van de kabels op slijtage of schade
- Controleer de kabelverbindingpunten op de bodemconsole of kabelbreukbeveiliging en kabeltrommel
- Controleer de veerbreukbeveiligingen volgens de aparte handleiding
 - Controleer de positie van het palwiel
 - Controleer de werking van het vangmechanisme
 - Controleer de bout- en schroefverbindingen van de veerbreukbeveiliging
- Controleer de kabelbreukbeveiliging volgens de aparte handleiding
 - Controleer de werking van de kabelbreukbeveiliging
 - Controleer de positie van het mes van de kabelbreukbeveiliging
 - Controleer de positie van de scharnierpen
- Controleer de balans van de deur en stel deze indien nodig af / controleer de handmatige bediening
- Controleer de scharnieren op breuken en slijtage
- Controleer het katrolsysteem (indien aanwezig) op schade of slijtage
- Controleer of test de bevestigingen van de veren aan de veerstekers
- Controleer de looprollen op schade of slijtage en vrije bewegingsruimte
- Controleer de sluitkrachten van de hoofdsluitkant (alleen bij elektrische bediening zonder dodemansfunctie)
- Controleer de ophanging van de horizontale rail aan het plafond
 - Controleer de afhangprofielen op breuken of schade
 - Controleer de bout- en schroefverbinding
- Controleer de as op beschadigingen en slijtage
- Controleer de verbinding van de railset
- Controleer de bout van het koppelstuk en draai deze aan
- Controleer de afdichtingen aan de zijkant, bovenkant en onderkant op schade of slijtage
- Controleer de panelen op beschadigingen en slijtage

- Smeer de torsieveren, lagers van looprollen, bewegende onderdelen van de rail en lagering op de as

17. Vervangen van onderdelen

Gebruik alleen originele DOCO-reserveonderdelen!

Onderhoud mag alleen worden uitgevoerd door een bedrijf/installateur dat/die gekwalificeerd is op het gebied van industriële deuren.

Na breuk van een veer:

Zie de instructies in de aparte handleiding (of download de handleiding van internet: www.doco-international.com)

- Vervang de veren en de veerbreukbeveiliging
- Controleer de as op beschadigingen en vervang deze indien nodig.

Na kabelbreuk:

Zie de instructies in de aparte handleiding (of download de handleiding van internet: www.doco-international.com)

- Vervang de kabel inclusief aansluiting
- Vervang de complete kabelbreukbeveiliging
- Controleer de rails en onderhoud of vervang de rails.

Spis treści

1. Ogólne warunki handlowe	33
2. Symbole	33
3. Ogólne wskazówki ostrzegawcze.....	33
4. Wymagania bezpieczeństwa	33
5. Wytyczne	34
6. Materiały do montażu w budynku	34
7. Montaż szyn.....	34
8. Montaż paneli	35
9. Zakres stosowania.....	35
10. Dokumenty do przekazania.....	35
11. Pierwsze uruchomienie	35
12. Elektryczny napęd bramy (opcja)	35
13. Ustawienia jednostki sterującej	35
14. Demontaż.....	35
15. Utylizacja	35
16. Konserwacja i Ostrzeżenia.....	36
17. Wymiana części	37
18. Elementy mocujące i narzędzia	43
19. Instrukcja montażu	45

1. Ogólne warunki handlowe

Wszelkie oferty, umowy lub późniejsze poprawki podlegają naszym ogólnym warunkom dostaw i płatności. Na życzenie możemy przesłać kopię tych warunków. Można je również pobrać z naszej strony: www.doco-international.com

2. Symbole



Niebezpieczeństwo / uwaga



Wygląd / sprawdź



Dodatkowe instrukcje



Obowiązkowy krok



Opcjonalny krok



Obsługa ręczna



Z napędem elektrycznym



Z napędem kołowrotu łańcuchowego



Alternatywny krok



Dokument dotyczący obsługi bramy



Lewo + prawo

3. Ogólne wskazówki ostrzegawcze

Niniejsza instrukcja przeznaczona jest dla wykwalifikowanego personelu i nie służy do wykorzystania przez praktyków ani „majsterkowiczów”.

Osoby, które montują, demontują, konserwują lub oddają do eksploatacji bramę, muszą uważnie przeczytać i zrozumieć niniejszą instrukcję oraz przestrzegać jej. Aby uniknąć poważnych urazów, należy dokładnie zapoznać się z wszystkimi oznaczeniami i ostrzeżeniami zawartymi w niniejszej instrukcji i przestrzegać ich.

- W niniejszej instrukcji opisano montaż, demontaż i konserwację systemu bram przemysłowych; może ona być uzupełniona przez inne instrukcje, na przykład instrukcję obsługi bezpiecznika pęknięcia sprężyny, bezpiecznika przerwania linki lub instrukcję obsługi napędu (jeśli dotyczy).
- System bram przemysłowych został skonstruowany zgodnie z najnowszymi normami europejskimi, należy jednak sprawdzić, czy dana norma odpowiada normie krajowej.
- Wszystkie wymiary podane są w milimetrach, chyba że określono inaczej.
- Po dokonaniu montażu należy sprawdzić, czy przygotowano i umieszczono znak CE.
- Należy przechowywać niniejszą instrukcję w bezpiecznym miejscu w pobliżu bramy przemysłowej.
- Zastrzegamy sobie prawo do zmian technicznych bez konieczności wcześniejszego pisemnego powiadomienia.

4. Wymagania bezpieczeństwa

- Ten system bram przemysłowych może być montowany, łączony i uruchamiany wyłącznie przez wykwalifikowany personel.
- Należy upewnić się, że prąd został wyłączony i pozostaje wyłączony podczas wykonywania prac elektrycznych!
- Nie wolno usuwać urządzeń zabezpieczających!

- Dodawanie lub usuwanie części może wywierać negatywny wpływ na działanie, a przez to na bezpieczeństwo zainstalowanej bramy, dlatego stanowczo się tego odradza!
- Niektóre części mogą mieć ostre krawędzie – należy używać rękawic ochronnych.
- Wszystkie dane dotyczące montażu bram/elementów odnoszą się do lokalizacji od wewnątrz na zewnątrz.
- Nie wolno użytkować systemu bram przemysłowych w przypadku widocznych uszkodzeń, zwłaszcza linek, sprężyn lub urządzeń zabezpieczających.
- Podczas przeprowadzania montażu/konserwacji należy zakładać rękawice i buty ochronne; w przypadku prac związanych z wierceniem/cięciem należy zakładać okulary ochronne!
- Należy upewnić się, że prace są wykonywane na stabilnym podłożu.
- Należy zabezpieczyć miejsce montażu/konserwacji taśmą odgradzającą, aby uniemożliwić dostęp osobom nieupoważnionym.
- Konserwacja może być przeprowadzana wyłącznie przez wyspecjalizowane firmy montażowe i/lub przez wykwalifikowany personel.
- Należy zapewnić odpowiednie oświetlenie.
- Należy stosować wyłącznie odpowiednie narzędzia, szczególnie podczas napinania sprężyn skrętnych.


5. Wytyczne



Instytut RISE ze Szwecji, jednostka notyfikowana nr 0402, na zlecenie DOCO International przeprowadził „badanie produktu” (wstępne badanie typu).


Dokumenty związane z tym badaniem można, po uzgodnieniu z firmą DOCO, przesłać do firmy produkującej bramę. Jest to wymagane do sporządzenia dokumentacji technicznej.

UWAGA: Certyfikat CE obowiązuje wyłącznie w przypadku stosowania odpowiednich komponentów DOCO.

 Firma montująca bramę ma obowiązek upewnić się, że napęd elektryczny i panele są zgodne z normą jakości produktów PN-EN 13241-1 i zostały przeprowadzone niezbędne wstępne badania typu.

W przypadku montażu drzwi przejściowych firma montująca bramę jest odpowiedzialna za zapewnienie, że cały system drzwi jest zgodny z normą jakości produktów PN-EN 13241-1 i że zostały przeprowadzone niezbędne wstępne badania typu.

6. Materiały do montażu w budynku

 Wymagane materiały do montażu systemu bram przemysłowych w budynku mieszkalnym i/lub do stropu nie stanowią części zamówienia!

Firma montująca musi zagwarantować, że konstrukcja budynku jest bezpieczna i odpowiednio mocna do montażu bramy i elementów mocujących. Ponadto firma ta jest odpowiedzialna za stosowanie prawidłowych materiałów do montażu do odpowiedniego fundamentu (kamień, beton, stal, drewno). Na ilustracjach nie podano żadnych tego typu specyfikacji.

Masa bramy* dla obciążenia stropu: 510 N/m²


Przy użyciu skrzydeł bramy w zakresie 7 - 14 kg/m²

7. Montaż szyn

W przypadku otrzymania kompletnego zestawu szyn można pominąć tę część.

W przypadku budowania własnych szyn należy postępować zgodnie z poniższymi wskazówkami:

Wiercenie:

 Należy używać wkrętów M8 (14010 lub 14023) i nakrętek (14022 lub 14013) co 650 mm (maks.) pomiędzy podanymi połączeniami; wstępny otwór: Ø8,5 mm:

Zestaw szyn pionowych: połączenie pomiędzy kątownikiem pionowym serii 290030 i szyną serii 22000

Zestaw szyn poziomych: połączenie pomiędzy łukiem serii 215091 i szyną C serii 220016


Połączenie pomiędzy kątownikiem pionowym serii 290030 i łącznikami 235300 – 235307

Należy użyć 1 wkrętu/nakrętki M8 (jak wyżej) pomiędzy szyną a łącznikiem i 1 wkrętu/nakrętki M8 pomiędzy pionowym kątownikiem a łącznikiem.



Więcej informacji znajduje się w książce z danymi technicznymi dot. produkcji.

Nitowanie:

 Minimalna wielkość nitu = 5 mm, co 650 mm (maks.) pomiędzy podanymi połączeniami.

Nity muszą zostać dopasowane zgodnie z instrukcjami obsługi urządzeń do nitowania.

Zestaw szyn pionowych: połączenie pomiędzy kątownikiem pionowym serii 290030 i szyną serii 22000

Zestaw szyn poziomych: połączenie pomiędzy łukiem serii 215091 i szyną C serii 220016

Połączenie pomiędzy kątownikiem pionowym serii 290030 i łącznikami 235300 – 235307

Należy użyć 1 nitu (jak wyżej) pomiędzy szyną a łącznikiem i 2 nitów (jak wyżej) pomiędzy pionowym kątownikiem a łącznikiem.



Więcej informacji znajduje się w książce z danymi technicznymi dot. produkcji.

8. Montaż paneli



Montaż paneli należy przeprowadzić zgodnie z instrukcją montażu paneli przemysłowych.

9. Zakres stosowania

Ten zestaw okuć przeznaczony jest do użytku komercyjnego

SL
Maks. szerokość
8500 mm
Maks. wysokość
7000 mm
Maks. przestrzeń skrzydła bramy
48 m ²
Maks. masa skrzydła bramy
660 kg
Maks. temperatura zewnętrzna*
-20 °C / +50 °C
Wilgotność względna powietrza
5 - 90%

* Duże różnice pomiędzy temperaturą wewnętrzną i zewnętrzną mogą prowadzić do wyginania się poszczególnych elementów panelu (efekt bimetalu). Problem ten występuje w szczególności w przypadku paneli w ciemnych kolorach. W przypadku obsługi ręcznej należy zachować ostrożność, ponieważ istnieje niebezpieczeństwo uszkodzeń.

10. Dokumenty do przekazania

Użytkownikowi końcowemu należy przekazać następujące dokumenty:

- Niniejszą instrukcję (montażu, konserwacji i demontażu)
- Instrukcję użytkownika
- Książkę serwisową
- Deklarację właściwości użytkowych
- Deklarację zgodności, jedynie w przypadku bramy z napędem elektrycznym

11. Pierwsze uruchomienie

Pierwsze uruchomienie systemu bram przemysłowych musi przeprowadzić firma montująca. Następnie należy poinstruować WSZYSTKICH użytkowników. Więcej informacji znajduje się w instrukcji użytkownika.

12. Elektryczny napęd bramy (opcja)

Napęd bramy należy zainstalować zgodnie z instrukcją dostawcy. UWAGA: W przypadku awarii zasilania powinno być możliwe odblokowanie bramy za pomocą systemu awaryjnego odblokowania. Tylko w takim przypadku można obsługiwać bramę za pomocą uchwytu. Nie należy mocować żadnej liny, zasuwy ani blokady do elektrycznie obsługiwanej bramy, ani zasuwy lub blokady wymagającej wyposażenia w przełącznik elektryczny.

13. Ustawienia jednostki sterującej

Ustawianie jednostki sterującej odbywa się zgodnie z danymi zamieszczonymi w instrukcji producenta napędu bramy.

Uwaga: Certyfikat CE dla zestawów okuć obowiązuje tylko w przypadku stosowania napędów bramy określonych w raporcie ze wstępnych badań typu. W przypadku wybrania innego napędu bramy osoba montująca musi przeprowadzić analizę sił maksymalnych zgodnie z normami PN-EN 12445 i PN-EN 12453.

14. Demontaż

Demontaż powinna przeprowadzać wykwalifikowana firma montażowa/osoba montująca. Demontaż bramy należy przeprowadzić w odwrotnej kolejności do montażu, zgodnie z opisem w instrukcji montażu.

15. Utylizacja

Wszystkie części systemu bram przemysłowych są łatwe w utylizacji. W sprawach dotyczących utylizacji należy zwrócić się do władz lokalnych.

Procedura

- Zwolnić sprężyny skrętne!
 - Włożyć pierwszy pręt napinający do głowicy napinającej.
 - rzytać mocno pierwszy pręt napinający i ostrożnie poluzować śruby głowicy napinającej, zrównoważyć siłę sprężyny.

- Teraz umieścić drugi pręt napinający w następnym otworze i ostrożnie poluzować sprężynę. Należy luzować sprężynę zawsze od góry w dół.
 - Ponownie włożyć pierwszy pręt napinający do czopu sprężyny i poluzować.
 - Powtarzać kroki 3 – 4, dopóki sprężyna nie zostanie zwolniona.
 - Powtarzać kroki 1 – 4 z następną sprężyną (sprężynami).
- Zdjąć jednostkę napędową zgodnie z instrukcją obsługi elektrycznej jednostki napędowej.
 - Odkręcić śruby bębna linkowego i wyjąć linkę stalową z bębna. Uwaga na naprężenie linki – należy sprawdzić, czy linki są luźne!
 - Zdjąć jednostkę napędową. Najpierw zdemontować złączkę i ostrożnie wysunąć obie połowy wału z płyt łożyskowych. Uwaga – części mogą ślizgać się po wale!
 - Zdemontować panele od góry do dołu, zwalniając uchwyty rolek i zawiasów środkowych.
 - Zdemontować poziome szyny.

16. Konserwacja i Ostrzeżenia

Zgodnie z normami UE system bram przemysłowych należy regularnie konserwować i kontrolować, począwszy od pierwszego użycia, zgodnie z instrukcjami serwisowania określonymi przez osobę montującą. Przeprowadzone prace konserwacyjne należy zarejestrować w formie pisemnej. Prace konserwacyjne muszą zostać przeprowadzone przez wykwalifikowaną osobę montującą/firmę, o ile nie określono inaczej.

Łączniki i inne części połączone ze sprężynami skrętnymi i linkami są mocno naciągnięte. Naciągnięte sprężyny posiadają znaczne naprężenie; należy zawsze zachować ostrożność i upewnić się, czy pręty napinające (nr 12025) są w dobrym stanie, a także używać właściwej strony pręta (zależy od stosowanego czopu sprężyny). Podczas kontroli systemu bram przemysłowych należy zawsze odłączyć główne źródło zasilania i upewnić się, że brama została zabezpieczona przed ponownym niepożądanym uruchomieniem.

Bezpośrednio po zamontowaniu (Osoba montująca):

- Smarowanie ruchomych elementów szyn (zalecenie: środek zawierający teflon (PTFE))
- Smarowanie łożysk i wałów rolek (zalecenie: środek zawierający teflon (PTFE))
- Smarowanie trzpieni zawiasów pośrednich oraz zawiasów bocznych (zalecenie: środek zawierający teflon (PTFE))
- Smarowanie łożysk wału (zalecenie: środek zawierający teflon (PTFE))
- Smarowanie uszczelki gumowej (zalecenie: specjalny smar do gumy lub wazelina)

Po 3 miesiącach (Osoba montująca):

- Sprawdzenie wyważenia systemu/ ponowne naciąganie sprężyn w przypadku poluzowania (sprężyny naciągowe)
- Kontrola wzrokowa całego systemu
- Wyreguluj koło zapadkowe urządzenia zabezpieczającego przed pęknięciem sprężyny

Co 6 miesięcy (Użytkownik):

- Sprawdzenie uszczelki bocznych, górnych i dolnych pod kątem zużycia i uszkodzeń
- Smarowanie ruchomych elementów szyn (zalecenie: środek zawierający teflon (PTFE))
- Smarowanie łożysk i wałów rolek (zalecenie: środek zawierający teflon (PTFE))
- Smarowanie trzpieni zawiasów pośrednich oraz zawiasów bocznych (zalecenie: aerozol zawierający teflon (PTFE))
- Smarowanie uszczelki gumowej (zalecenie: specjalny smar do gumy lub talk)
- Czyszczenie paneli (zalecenie: woda z szamponem do mycia samochodów), nie stosować agresywnych środków czyszczących
- Woskowanie paneli (zalecenie: wosk samochodowy)
- Usuwanie zanieczyszczeń z bramy i jej otoczenia

Co 12 miesięcy lub co 7500 cykli roboczych (Osoba montująca):

- Sprawdzenie linek i przyłączy końcowych pod kątem zużycia i uszkodzeń
- Sprawdzenie punktów połączenia linek z dolnym łącznikiem lub bezpiecznikiem przerywania linki oraz bębniem linkowym
- Sprawdzenie bezpiecznika pęknięcia sprężyny zgodnie z oddzielną instrukcją
 - Sprawdzenie pozycji koła zapadkowego
 - Sprawdzenie działania chwytacza
 - Sprawdzenie śrub i wkrętów bezpiecznika pęknięcia sprężyny
- Sprawdzenie bezpiecznika przerywania linki zgodnie z oddzielną instrukcją
 - Sprawdzenie działania bezpiecznika przerywania linki
 - Sprawdzenie pozycji noża bezpiecznika przerywania linki
 - Sprawdzenie pozycji trzpienia zawiasu
- Sprawdzenie bramy pod kątem wyważenia i regulacja w razie konieczności/ sprawdzenie ręcznej obsługi systemu
- Sprawdzenie zawiasów pod kątem pęknięć, zużycia i uszkodzeń
- Sprawdzenie systemu krążków linowych (jeśli są zamontowane) pod kątem uszkodzeń i zużycia
- Kontrola lub test zamocowania sprężyn do czopów

- Sprawdzenie rolek pod kątem uszkodzeń i zużycia oraz dostępnej wolnej przestrzeni
- Kontrola siły zamykania głównej krawędzi zamykającej (tylko w przypadku napędu elektrycznego, bez funkcji czuwaka)
- Sprawdzenie zawieszenia przewodnicy poziomej do stropu
 - Sprawdzenie profili zawieszenia pod kątem pęknięć i uszkodzeń
 - Sprawdzenie połączenia śruby i nakrętki
- Sprawdzenie uszczelki bocznych, górnych i dolnych pod kątem zużycia i uszkodzeń
- Sprawdzenie paneli pod kątem zużycia i uszkodzeń
- Smarowanie sprężyn skrętnych, łożysk rolek, ruchomych elementów szyn i łożysk wałów

Co 24 miesięcy lub co 15 000 cykli roboczych (Osoba montująca):

- Sprawdzenie linek i przyłączy końcowych pod kątem zużycia i uszkodzeń
- Sprawdzenie punktów połączenia linek z dolnym łącznikiem lub bezpiecznikiem przerwania linki oraz bębniem linkowym
- Sprawdzenie bezpiecznika pęknięcia sprężyny zgodnie z oddzielną instrukcją
 - Sprawdzenie pozycji koła zapadkowego
 - Sprawdzenie działania chwytacza
 - Sprawdzenie śrub i wkrętów bezpiecznika pęknięcia sprężyny
- Sprawdzenie bezpiecznika przerwania linki zgodnie z oddzielną instrukcją
 - Sprawdzenie działania bezpiecznika przerwania linki
 - Sprawdzenie pozycji noża bezpiecznika przerwania linki
 - Sprawdzenie pozycji trzpienia zawiasu
- Sprawdzenie bramy pod kątem wyważenia i regulacja w razie konieczności/ sprawdzenie ręcznej obsługi systemu
- Sprawdzenie zawiasów pod kątem pęknięć, zużycia i uszkodzeń
- Sprawdzenie systemu krążków linowych (jeśli są zamontowane) pod kątem uszkodzeń i zużycia
- Kontrola lub test zamocowania sprężyn do czopów
- Sprawdzenie rolek pod kątem uszkodzeń i zużycia oraz dostępnej wolnej przestrzeni
- Kontrola siły zamykania głównej krawędzi zamykającej (tylko w przypadku napędu elektrycznego, bez funkcji czuwaka)
- Sprawdzenie zawieszenia przewodnicy poziomej do stropu
 - Sprawdzenie profili zawieszenia pod kątem pęknięć i uszkodzeń

- Sprawdzenie połączenia śruby i nakrętki
- Sprawdzenie wału pod kątem zużycia i uszkodzeń
- Sprawdzenie połączenia zestawu szyn
- Sprawdzenie i ponowne zamocowanie śruby złączki wału
- Sprawdzenie uszczelki bocznych, górnych i dolnych pod kątem zużycia i uszkodzeń
- Sprawdzenie paneli pod kątem zużycia i uszkodzeń
- Smarowanie sprężyn skrętnych, łożysk rolek, ruchomych elementów szyn i łożysk wałów

17. Wymiana części

Należy używać tylko oryginalnych części zamiennych DOCO! Prace konserwacyjne muszą zostać przeprowadzone przez wykwalifikowaną osobę montującą/firmę.

Po pęknięciu sprężyny:

Informacje znajdują się w oddzielnej instrukcji (lub w instrukcji do pobrania ze strony internetowej

www.doco-international.com).

- Wymiana sprężyn i bezpiecznika przerwania linki
- Sprawdzenie wału pod kątem uszkodzeń i wymiana w razie konieczności

Po przerwaniu linki:

Informacje znajdują się w oddzielnej instrukcji (lub w instrukcji do pobrania ze strony internetowej

www.doco-international.com).

- Wymiana linki oraz połączenia
- Wymiana całego bezpiecznika pęknięcia linki
- Sprawdzenie szyn i naprawa lub wymiana szyn

Obsah

1. Všeobecné obchodní podmínky	38
2. Symboly	38
3. Obecná varování	38
4. Bezpečnostní předpoklady	38
5. Richtlijnen.....	39
6. Materiál pro upevnění ke stavbě	39
7. Montáž setu kolejnic.....	39
8. Montáž panelu	39
9. Rozsah použití	39
10. Předání.....	40
11. První použití	40
12. Elektrický pohon (volitelný)	40
13. Nastavení řídicí jednotky	40
14. Demontáž.....	40
15. Likvidace.....	40
16. Údržba a Varování.....	41
17. Výměna dílů.....	42

1. Všeobecné obchodní podmínky

Na veškeré naše nabídky, smlouvy či jejich následující změny se uplatní naše všeobecné podmínky dodání a úhrady. Kopie našich všeobecných obchodních podmínek je k dispozici na požádání nebo je lze stáhnout z našich webových stránek: www.doco-international.com

2. Symboly



Nebezpečí / pozor



Pohled / kontrola



Další návody



Povinný krok



Volitelný krok



Manuální ovládání



Ovládání elektrickým pohonem



Ovládání řetězovým kladkostrojem



Alternative step



Dokument o zpracování vrat



Vlevo + vpravo

3. Obecná varování

Tento návod byl vypracován pro použití kvalifikovanými osobami a tedy nikoliv učni nebo kutily. Osoby, které mají provádět montáž, demontáž, údržbu nebo uvádění systému vrat do provozu, jsou povinny si tento návod přečíst, pochopit a dodržovat. Aby se zabránilo závažnému osobnímu poranění, pečlivě si přečtěte a dodržujte veškeré pokyny a výstrahy uvedené v tomto návodu.

- Tento návod popisuje montáž, demontáž a údržbu vašeho Systému průmyslových vrat; ten může být doplněn o další návody, například návod pro pojistku při prasknutí pružiny, návod pro pojistku při prasknutí lana nebo návod k použití (v příslušných případech).
- Systém průmyslových vrat byl navržen v souladu s nejnovějšími evropskými normami; nicméně sami musíte zkontrolovat, zda taková norma odpovídá vašim místním národním normám.
- Není-li uvedeno jinak, veškeré rozměry jsou vyjádřeny v milimetrech.
- Po instalaci zajistěte, aby byl vyplněn a umístěn štítek označení CE.
- Tento návod uchovávejte na bezpečném místě v blízkosti průmyslových vrat.
- Podléhá technickým změnám bez písemného oznámení.

4. Bezpečnostní předpoklady

- Tento systém průmyslových vrat smí montovat, zapojovat nebo uvádět do provozu pouze kvalifikované osoby, které mohou provádět i jeho údržbu.
- Pokud provádíte zásahy do elektrického zařízení, zkontrolujte, zda je vypínač vypnutý a zajistěte, aby vypnutý zůstal!
- Bezpečnostní prvky nikdy neobcházejte!
- Přidávání nebo demontáž dílů může mít negativní vliv na provoz vrat a tím i bezpečnost nainstalovaných sekčních vrat. Takový postup zásadně nedoporučujeme!
- Některé díly mohou mít ostré hrany: používejte ochranné rukavice.

- Veškeré odkazy na manipulaci s vraty/komponenty jsou popisovány z pohledu zevnitř ven.
- Systém průmyslových vrat nepoužívejte v případě vizuálního poškození, zejména u lan a bezpečnostních zařízení.
- Při montáži/údržbě vždy používejte alespoň ochranné rukavice a bezpečnostní obuv a během vrtání/řezání také ochranné brýle!
- Zajistěte, abyste práci mohli vždy vykonávat ve stabilním prostředí.
- Prostor pro montáž/údržbu zajistěte bezpečnostní páskou, aby do prostoru nevstupovaly další osoby.
- Údržbu smí provádět pouze kvalifikovaná montážní společnost a/ nebo kvalifikované osoby.
- Zajistěte dostatečné osvětlení.
- Používejte pouze vhodné nástroje, zejména pak při napínání torzních pružin.

5. Richtlijnen



DOCOC International provedla „Produktový test“ těchto vrat (Testování úvodního typu = ITTr) prostřednictvím RISE institutu ve Švédsku, známém jako oznamovaný orgán č. 0402.

Dokumenty týkající se tohoto ITTr lze po konzultaci s DOCOC předat společnosti vyrábějící vrata. Tyto jsou nezbytné pro vypracování technické dokumentace.

POZNÁMKA: Souhlas CE se vztahuje pouze na použití správných komponent DOCOC.

! Montážní společnost je povinna zajistit, aby elektrický ovladač a panely odpovídaly normě výrobku EN13241-1 a aby u nich proběhly nezbytné ITTr. Mají-li být nainstalována vrata, je instalační společnost povinna zajistit, aby celá vrata odpovídala normě výrobku EN13241-1 a aby u nich proběhly nezbytné ITT.

6. Materiál pro upevnění ke stavbě

! Nezbytný upevňovací materiál pro uchycení systému průmyslových vrat k budově a/nebo stropu není součástí dodávky!

Montážní společnost je povinna zajistit, aby byla stavební konstrukce bezpečná/dostatečně pevná pro upevnění vrat a spojovacího materiálu. Montážník je povinen používat správný spojovací materiál pro příslušný základ (kámen, beton, ocel, dřevo).

V části obrázku proto nebudou uváděny žádné specifikace.

Hmotnost vrat* pro zátěž vrat: 510 N/m²

Použití vratových sekcí mezi 7–14 kg/m²

7. Montáž setu kolejnic

Pokud vám byl dodán set kolejnic, můžete tuto část přeskočit.

Pokud vytváříte vlastní set kolejnic, postupujte dle následujících pokynů:

Vrtání:

! Použijte šroub M8 (14010 nebo 14023) a matky (14022 nebo 14013) každých 650 mm (max.) mezi spoji, předem vyvrtejte otvory o Ø 8,5 mm:

Set vertikálních kolejnic: spojení mezi vertikální stojkou řady 290030 a kolejnicí řady 22000.

Set horizontálních kolejnic: oblouk řady 215091 a C-profil řady 220016.

Spojení mezi vertikální stojkou řady 290030 a spojovacími deskami 235300 - 235307.

Použijte 1 šroub/matku M8 (dle pokynů výše) mezi kolejnicí a spojovací deskou a 1 šroub/matku M8 (dle pokynů výše) v rozmezí mezi vertikální stojkou a spojovací deskou.



Pro podrobnější informace viz: Kniha technické výroby

Nýtování:

! Minimální velikost nýtu = 5 mm, každých 650 mm (max.) mezi spoji níže.

Nýty musí být upevněny v souladu s pokyny/návodem nýtovacího vybavení.

Set vertikálních kolejnic: spojení mezi vertikální stojkou řady 290030 a kolejnicí řady 22000.

Set horizontálních kolejnic: oblouk řady 215091 a C-profil řady 220016.

Spojení mezi vertikálním stojkou řady 290030 a spojovacími deskami 235300 - 235307.

Použijte 1 nýt (dle pokynů výše) mezi kolejnicí a spojovací deskou a 2 nýty (dle pokynů výše) v rozmezí mezi vertikální stojkou a spojovací deskou.



Pro podrobnější informace viz: Kniha technické výroby

8. Montáž panelu



Panely je třeba namontovat v souladu s Návodem na montáž průmyslových panelů.

9. Rozsah použití

Toto zařízení bylo vyvinuto pro komerční využití

SL
Max. šířka vrat
8500 mm
Max. výška vrat
7000 mm
Max. plocha vratového křídla
48 m ²
Max. hmotnost vrat
660 kg
Maximální škála venkovních teplot*
-20 °C / +50 °C
Relativní vlhkost
5 - 90%

* Velké teplotní rozdíly mezi vnitřkem a vnějškem mohou způsobit prohnutí částí panelu (efekt dvou kovů). Zejména panely tmavé barvy jsou náchylné k tomuto problému a je třeba se mu vyhnout. Při manuální manipulaci je třeba dávat dobrý pozor, protože existuje velké riziko poškození.

10. Předání

Koncovému uživateli je třeba předat následující dokumenty:

- tento návod (montáže, údržby a demontáže),
- návod k použití,
- servisní knížku,
- prohlášení o výkonu (DoP),
- prohlášení o shodě (DoC), pouze v případě elektricky ovládaných vrat.

11. První použití

První použití systému průmyslových vrat musí provést montážník. Poté musí být VŠICHNI uživatelé zaškoleni.

Podrobnější informace najdete v Návodu k použití.

12. Elektrický pohon (volitelný)

Pohon namontujte v souladu s příručkou dodavatele.

POZNÁMKA:

V případě výpadku elektrické energie by mělo být možné vrata odemknout pomocí nouzového zámku ovladače. Pouze v takovém případě lze křídlo vrat ovládat madlem. Na elektricky ovládaná vrata nemontujte tahací lanko, petlice ani zámky nebo musí být petlice či zámek opatřeny elektrickým spínačem.

13. Nastavení řídicí jednotky

Nastavení řídicí jednotky je třeba provést v souladu s návodem výrobce pohonu. Dovolujeme si upozornit, že naše sady výrobků mají schválení CE pro použití s pohony uvedenými v naší zprávě ITTr. Pokud zvolíte jiný pohon, montážník musí provést analýzu špičkového výkonu v souladu s normami EN-12445 a EN-12453.

14. Demontáž

Demontáž smí provádět pouze kvalifikovaná společnost pro montáž průmyslových vrat/kvalifikovaný montážník. Vrata je třeba demontovat obráceným postupem pro montáž.

15. Likvidace

Veškeré díly tohoto systému průmyslových vrat lze jednoduše zlikvidovat. V této záležitosti se obraťte na své místní orgány.

Postup

- Uvolněte napnutí torzních pružin!
 - Do napínací hlavice zasuňte první napínací tyč.
 - Pevně držte 1 napínací tyč a opatrně uvolněte šrouby na napínací hlavě a přeneste napnutí pružiny.
 - Nyní zasuňte 2 napínací tyč do dalšího otvoru koncovky pružiny a pružinu opatrně uvolněte. Pružinu je třeba uvolňovat shora dolů.
 - Znovu zasuňte 1 napínací tyč do koncovky pružiny a uvolněte ji.
 - Zopakujte kroky 3-4, dokud se pružina neuvolní.
 - Zopakujte kroky 1-4 pro další pružinu (pružiny).
- Elektrický ovladač demontujte v souladu s návodem elektrického ovladače.
- Uvolněte šrouby na lanových bubnech a sundejte z nich ocelová lanka. Dávejte pozor na zbytkové napnutí lanek, zkontrolujte, zda jsou lanka uvolněná!
- Demontujte torzní hřídel. Nejprve odmontujte hřídelovou spojku a následně pečlivě vysuňte obě poloviny hřídele z koncových držáků s ložiskem. Dávejte pozor na komponenty, které mohou vyklouznout společně s hřídelí!
- Části panelu demontujte shora dolů. To dosáhnete demontováním držáků koleček a středových pantů.
- Demontujte set horizontálních kolejnic.
- Demontujte set vertikálních kolejnic.

16. Údržba a Varování

V souladu s normami EU je třeba provádět pravidelnou údržbu a kontrolu systému průmyslových vrat, počínaje prvním použitím, a to na základě postupu uvedeného montážníkem.

Údržbu je třeba písemně zaznamenat.

Není-li uvedeno jinak, smí údržbu provádět pouze kvalifikovaná společnost pro montáž průmyslových vrat/kvalifikovaný montážník.

Konzoly a další komponenty připojené k torzním pružinám a lankům jsou pod mimořádným napětím. Napnuté pružiny jsou pod velkým napětím; buďte vždy velmi opatrní a zkontrolujte, zda je napínací tyč (č. 12025) dobře udržovaná a použijte správnou stranu tyče (závisí na použité koncovce pružiny). Při kontrole systému průmyslových vrat vždy odpojte přívod elektrické energie a zkontrolujte, zda je systém zablokován proti opětovnému zapnutí, aniž byste o tom věděli.

Bezprostředně po instalaci (Provede Montážník):

- Namažte části kolejnič ve kterých se pohybují kolečka (doporučené: PTFE).
- Namažte ložiska a hřídele koleček (doporučené: PTFE).
- Namažte osičky středových a bočních pantů (doporučené: PTFE).
- Namažte ložiska hřídele (doporučené: PTFE).
- Namažte těsnění (doporučené: speciální mazadlo na pryž nebo vazelína).

Po 3 měsících (Provede Montážník):

- Zkontrolujte vyvážení systému / zkontrolujte napnutí pružin, případně dotáhněte (uvolňující pružiny).
- Provedte úplnou vizuální kontrolu.
- Seřídte ozubené kolo pojistky při prasknutí pružiny

Každých 6 měsíců (Provede Uživatel):

- Namažte části kolejnič ve kterých se pohybují kolečka (doporučené: PTFE).
- Namažte ložiska a hřídele koleček (doporučené: PTFE).
- Namažte osičky středových a bočních pantů (doporučené: PTFE).
- Namažte ložiska hřídele (doporučené: PTFE).
- Namažte těsnění (doporučené: speciální mazadlo na pryž nebo vazelína).
- Vyčistěte panely (doporučené: šampon na mytí aut s vodou), nepoužívejte agresivní čisticí prostředky.
- Navoskujte panely (doporučené: vosk na vozidla).
- Odstraňte nečistoty ze vrat a okolí

Každých 12 měsíců nebo 7 500 cyklů vrat (Provede Montážník):

- Zkontrolujte lanka a koncové spoje lanek z hlediska poškození nebo opotřebení.

- Zkontrolujte spojovací body lanek na spodním držáku nebo na pojistce při prasknutí lanka a lankových bubnech.
 - Zkontrolujte pojistku při prasknutí pružiny v souladu se samostatným návodem.
 - Zkontrolujte polohu ozubeného kolečka.
 - Zkontrolujte funkci západky.
 - kontrolujte šrouby upevnění SBD.
 - Zkontrolujte pojistku při prasknutí lanka v souladu se samostatným návodem.
 - Zkontrolujte funkci pojistky při prasknutí lanka.
 - Zkontrolujte polohu čepele pojistky při prasknutí lanka.
 - Zkontrolujte polohu hřídelky pantu.
 - Zkontrolujte vyvážení vrat a v případě potřeby jej upravte/zkontrolujte manuální ovládání.
 - Zkontrolujte panty z hlediska prasknutí a opotřebení.
 - Zkontrolujte system kladek (je-li namontován) z hlediska poškození nebo opotřebení.
 - Zkontrolujte nebo otestujte upevnění pružiny ke koncovce pružin.
 - Zkontrolujte kolečka z hlediska poškození nebo opotřebení a jejich vůli.
 - Zkontrolujte sílu uzavření hlavní zavírací hrany (pouze v případě elektrického ovládání a při funkci Ne na volno).
 - Zkontrolujte zavěšení horizontální kolejnič ke stropu.
 - Zkontrolujte závěsné profily z hlediska prasknutí nebo poškození.
 - Zkontrolujte utažení matic a šroubů.
 - Boční těsnění, horní a dolní těsnění zkontrolujte z hlediska poškození nebo opotřebení
 - Zkontrolujte panely z hlediska poškození, opotřebení.
 - Namažte torzní pružiny, ložiska válečků, pohybující se části ližin a ložisko hřídele.
- ### Každých 24 měsíců nebo 15000 cyklů vrat (Provede Montážník):
- Zkontrolujte lanka a koncové spoje lanek z hlediska poškození nebo opotřebení.
 - Zkontrolujte spojovací body lanek na spodním držáku nebo na pojistce při prasknutí lanka a lankových bubnech.
 - Zkontrolujte pojistku při prasknutí pružiny v souladu se samostatným návodem.
 - Zkontrolujte polohu ozubeného kolečka.
 - Zkontrolujte funkci západky.
 - Zkontrolujte šrouby upevnění SBD.
 - Zkontrolujte pojistku při prasknutí lanka v souladu se samostatným návodem.
 - Zkontrolujte funkci pojistky při prasknutí lanka.
 - Zkontrolujte polohu čepele pojistky při prasknutí lanka.
 - Zkontrolujte polohu osiček pantů.

- Zkontrolujte vyvážení vrat a v případě potřeby je upravte/zkontrolujte manuální ovládání.
- Zkontrolujte panty z hlediska prasknutí a opotřebení.
- Zkontrolujte systém kladek (je-li namontován) z hlediska poškození nebo opotřebení.
- Zkontrolujte nebo otestujte upevnění pružiny ke koncovce pružin.
- Zkontrolujte kolečka z hlediska poškození nebo opotřebení a jejich vůli.
- Zkontrolujte sílu uzavření hlavní zavírací hrany (pouze v případě elektrického ovládání a při funkci Ne na volno).
- Zkontrolujte zavěšení horizontální kolejnice ke stropu.
 - Zkontrolujte závěsné profily z hlediska prasknutí nebo poškození.
 - Zkontrolujte utažení matic a šroubů.
- Zkontrolujte hřídel z hlediska poškození a opotřebení.
- Zkontrolujte spoje setů kolejnic.
- Zkontrolujte a znovu utáhněte šrouby hřídelové spojky.
- Boční těsnění, horní a dolní těsnění zkontrolujte z hlediska poškození nebo opotřebení.
- Zkontrolujte panely z hlediska poškození, opotřebení.
- Namažte torzní pružiny, ložiska koleček, části kolejnic ve kterých se pohybují kolčeka a ložiska hřídele.

17. Výměna dílů

Používejte pouze původní náhradní díly DOCO! Údržbu by měla provádět pouze kvalifikovaná společnost dodávající průmyslová vrata/kvalifikovaný montážník.

Po prasknutí pružiny:

Viz pokyny v samostatném návodu (nebo si návod stáhněte z internetové stránky www.doco-international.com).

- Vyměňte pružinu a pojistku při prasknutí pružiny.
- Zkontrolujte hřídel z hlediska poškození a v případě potřeby ji vyměňte.

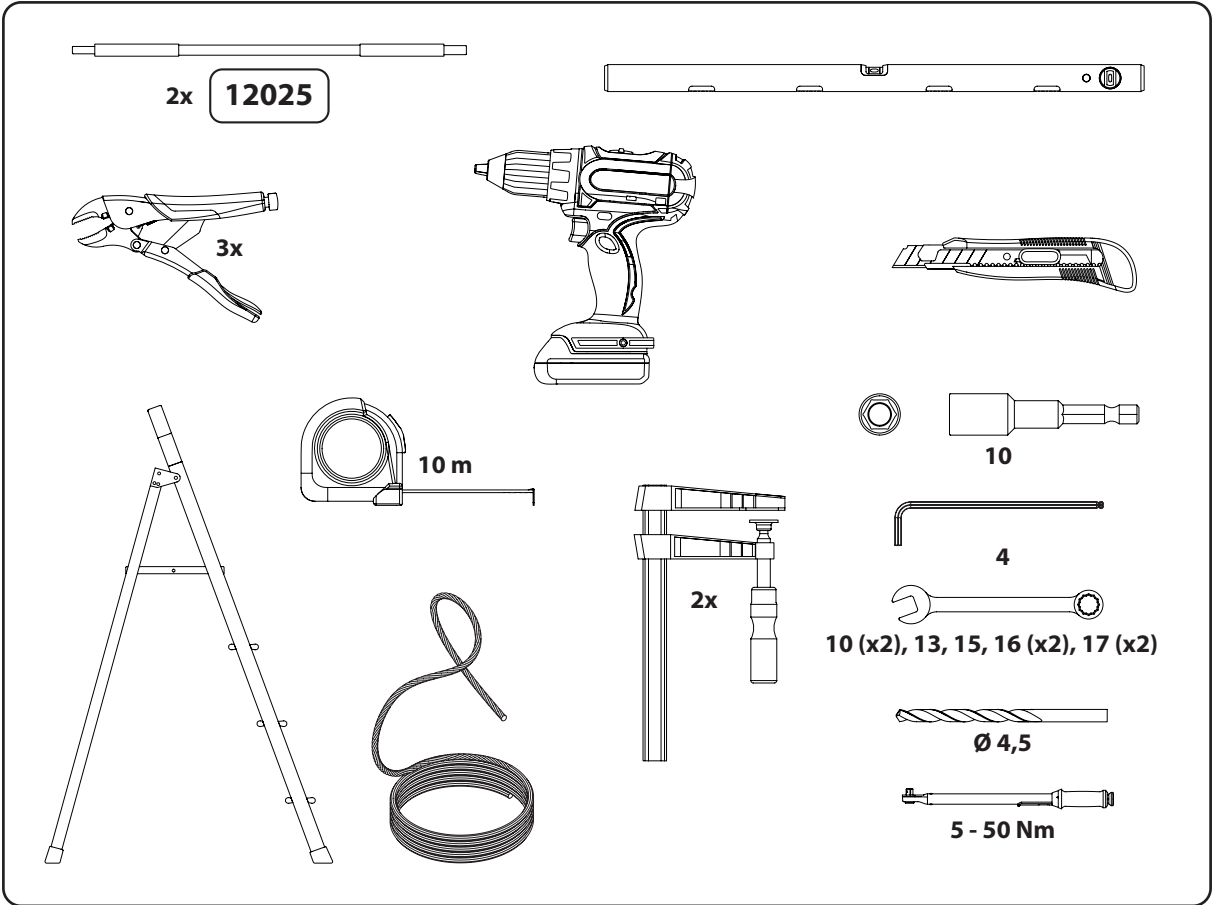
Po prasknutí lanka:

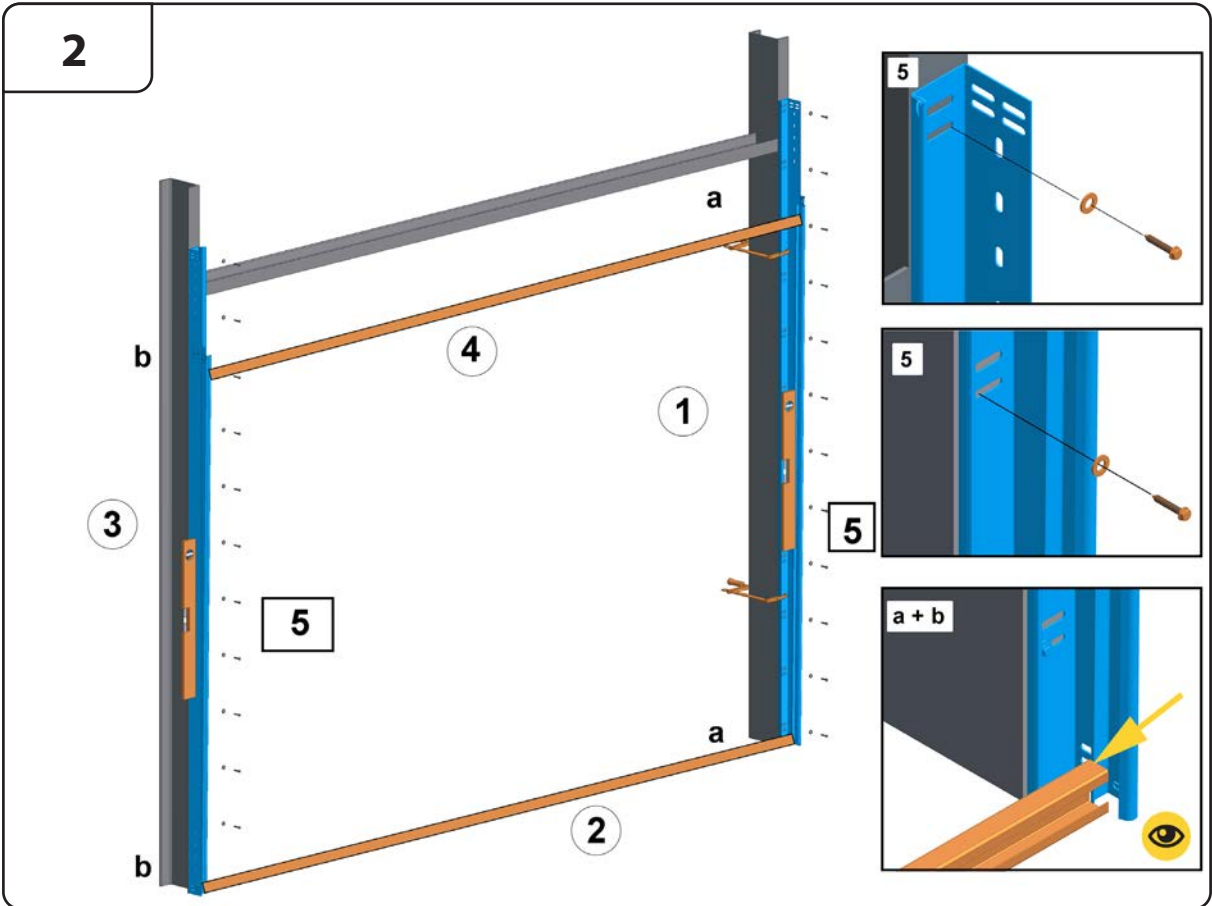
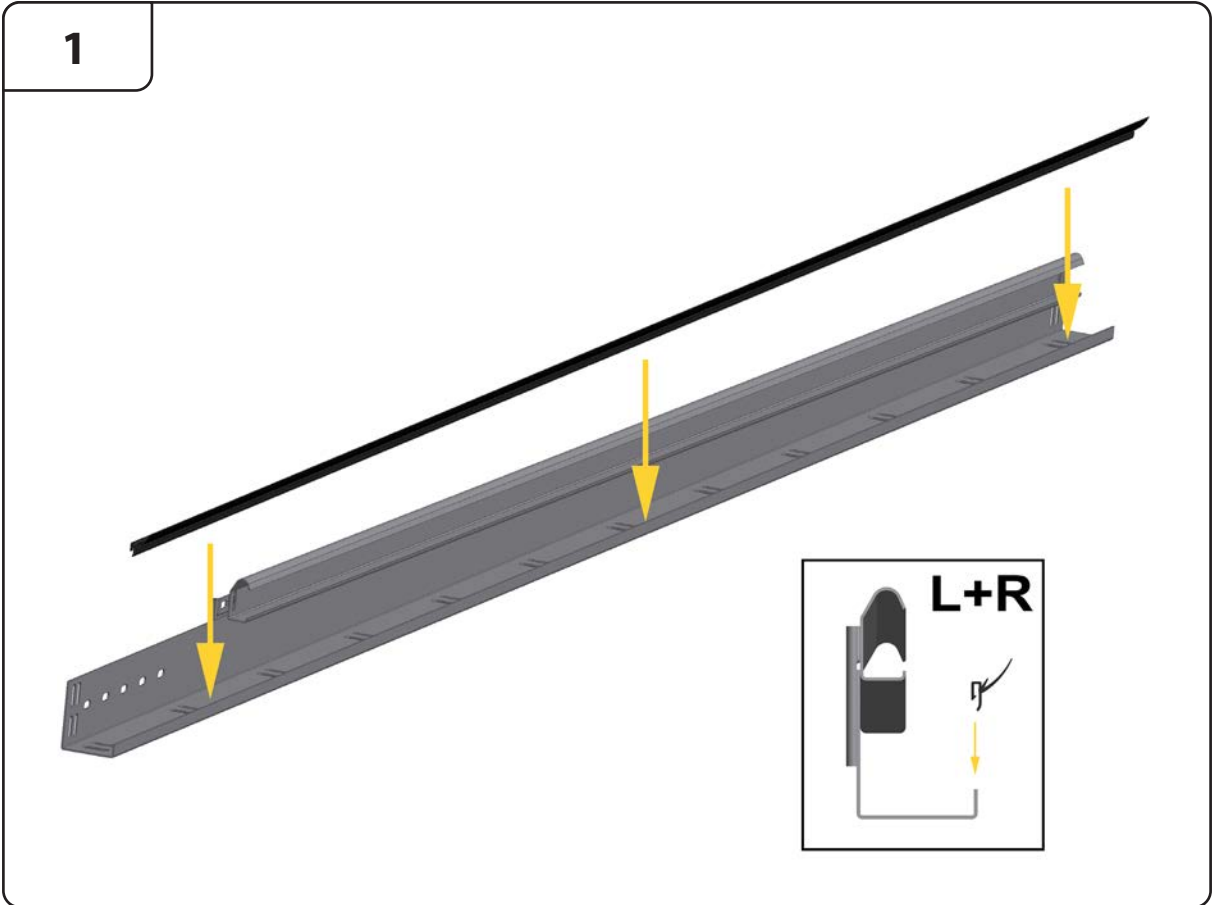
Viz pokyny v samostatném návodu (nebo si návod stáhněte z internetové stránky www.doco-international.com).

- Vyměňte lanko se spojkou.
- Vyměňte kompletně pojistku při prasknutí lanka.
- Zkontrolujte kolejnice a proveďte jejich servis nebo je vyměňte.

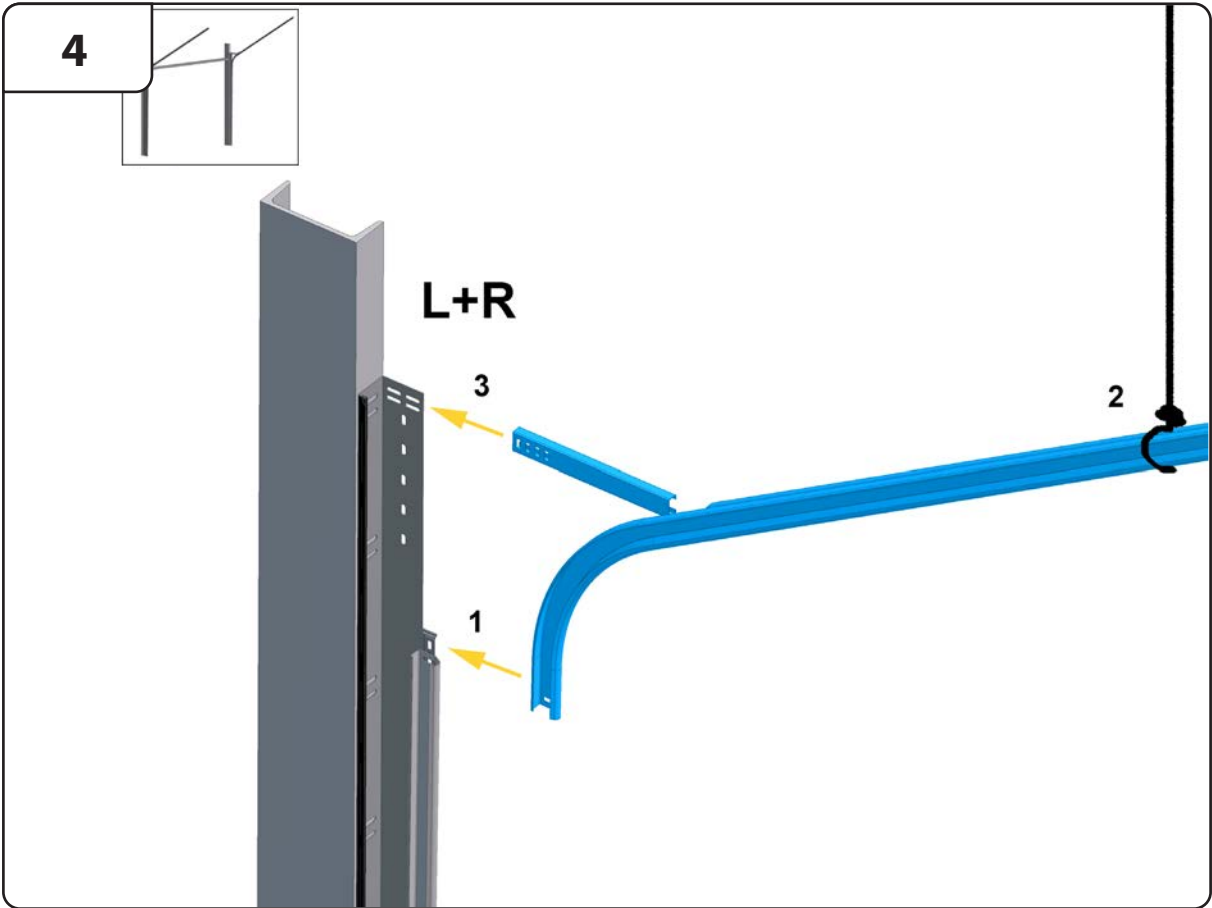
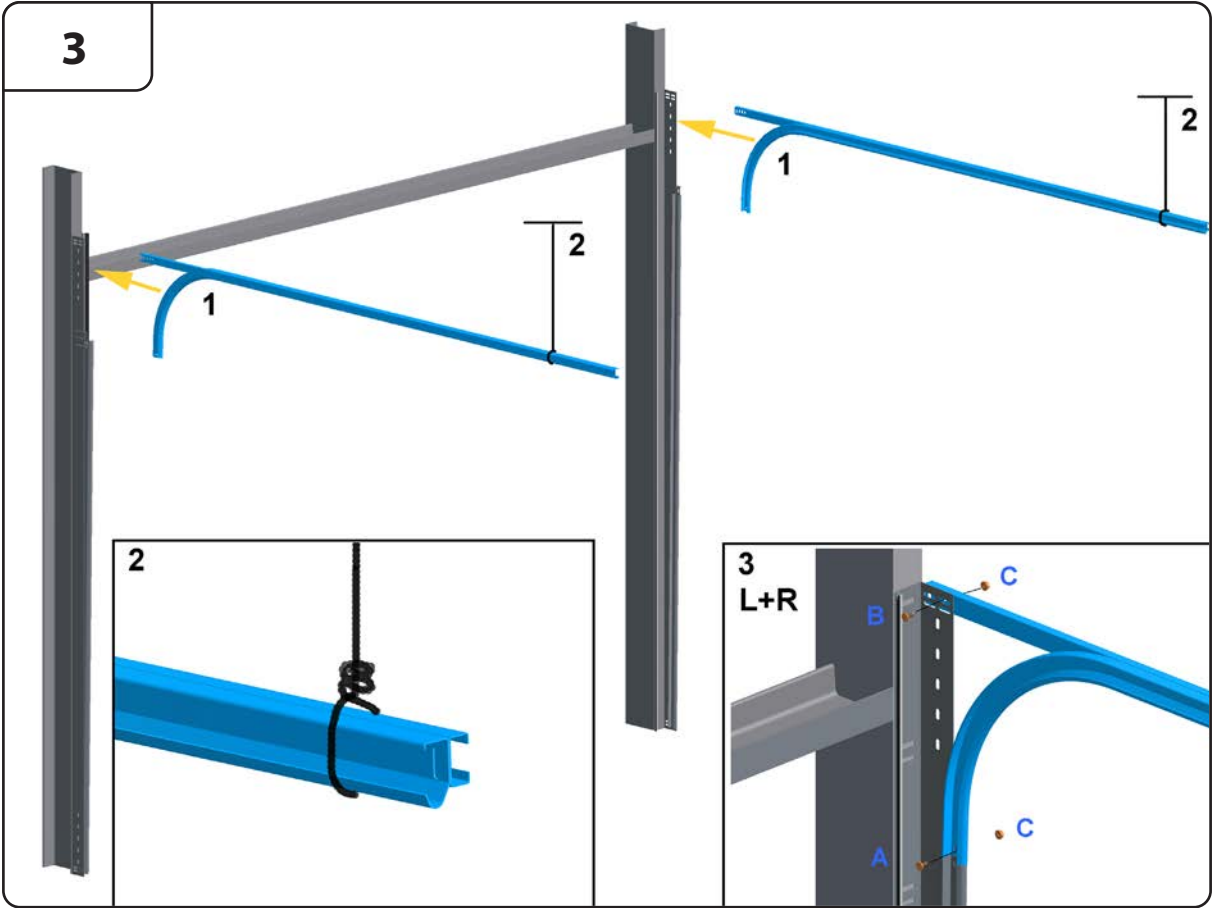
A	14023 M8 x 17 13 Nm		
B	14024 M8 x 10 13 Nm		
C	14022 M8 13 Nm		
D	14099 M10 35 Nm		
E	Ø 6,3 10 Nm	14020 L=16 150002 L=25 14017 L=35	
F	150118 M8 x 20 13 Nm		
G	150098 M10 x 25 35 Nm		
H	235201 M8 x 15 15 Nm		
I	235205 M8 x 18 15 Nm		
J	235200 M8 x 18 15 Nm		
K	235203 M8 x 18 15 Nm		

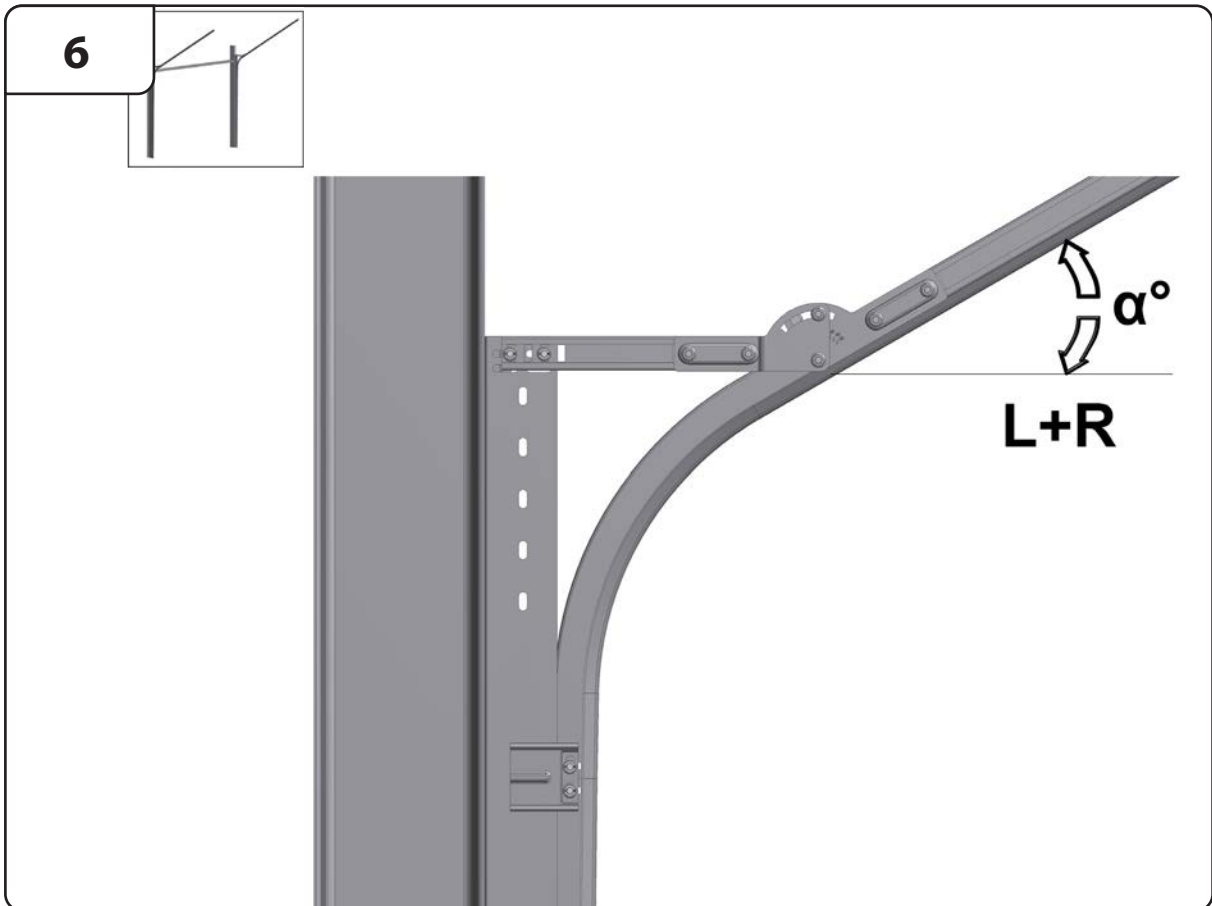
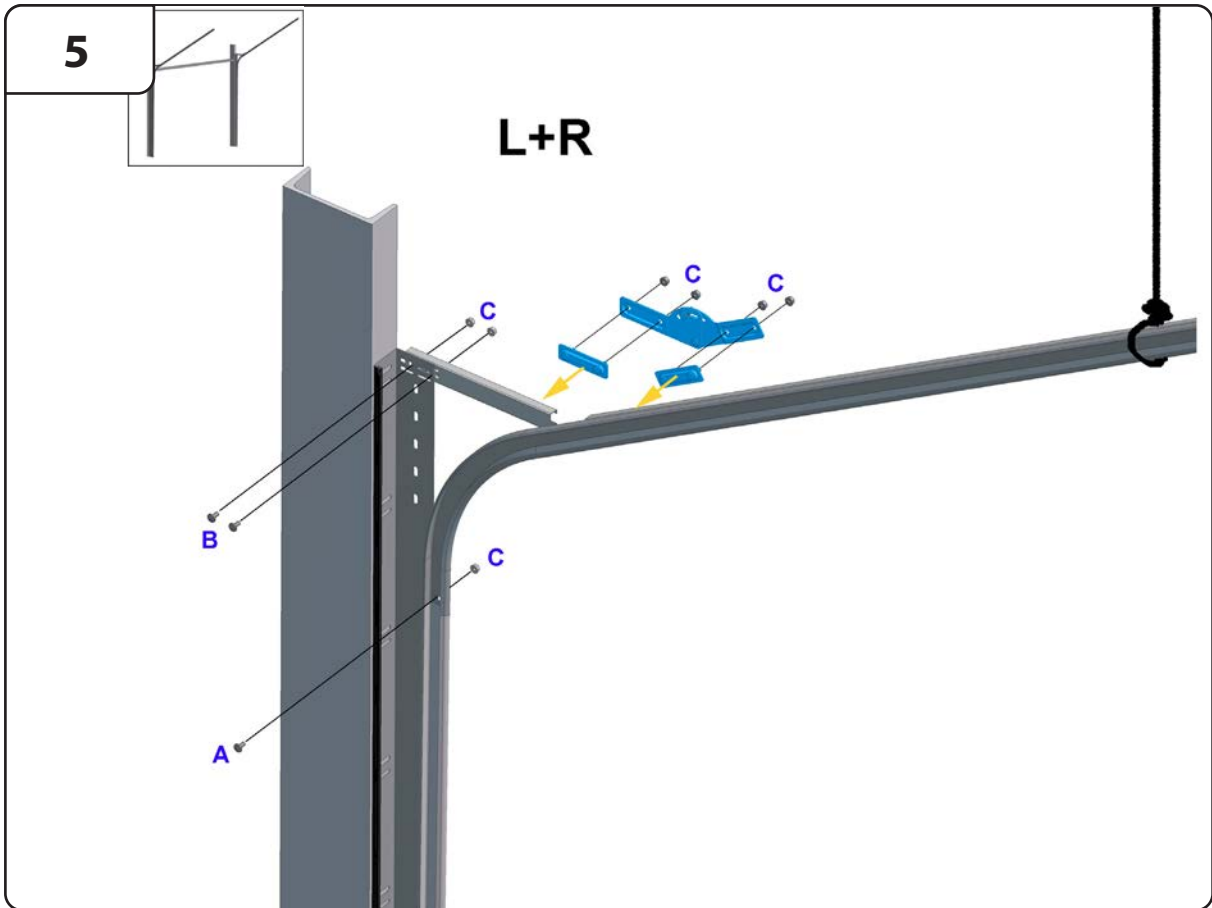
Standard Lift



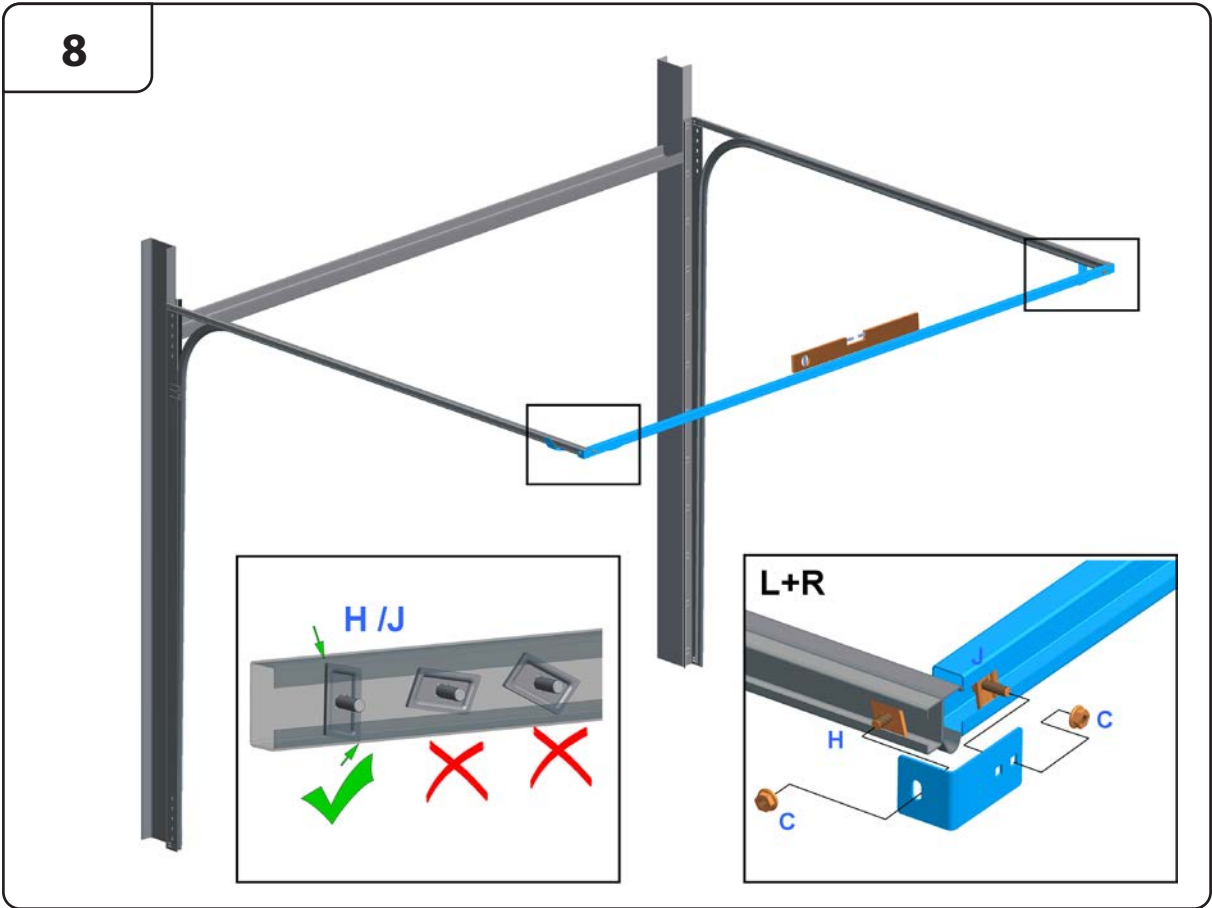
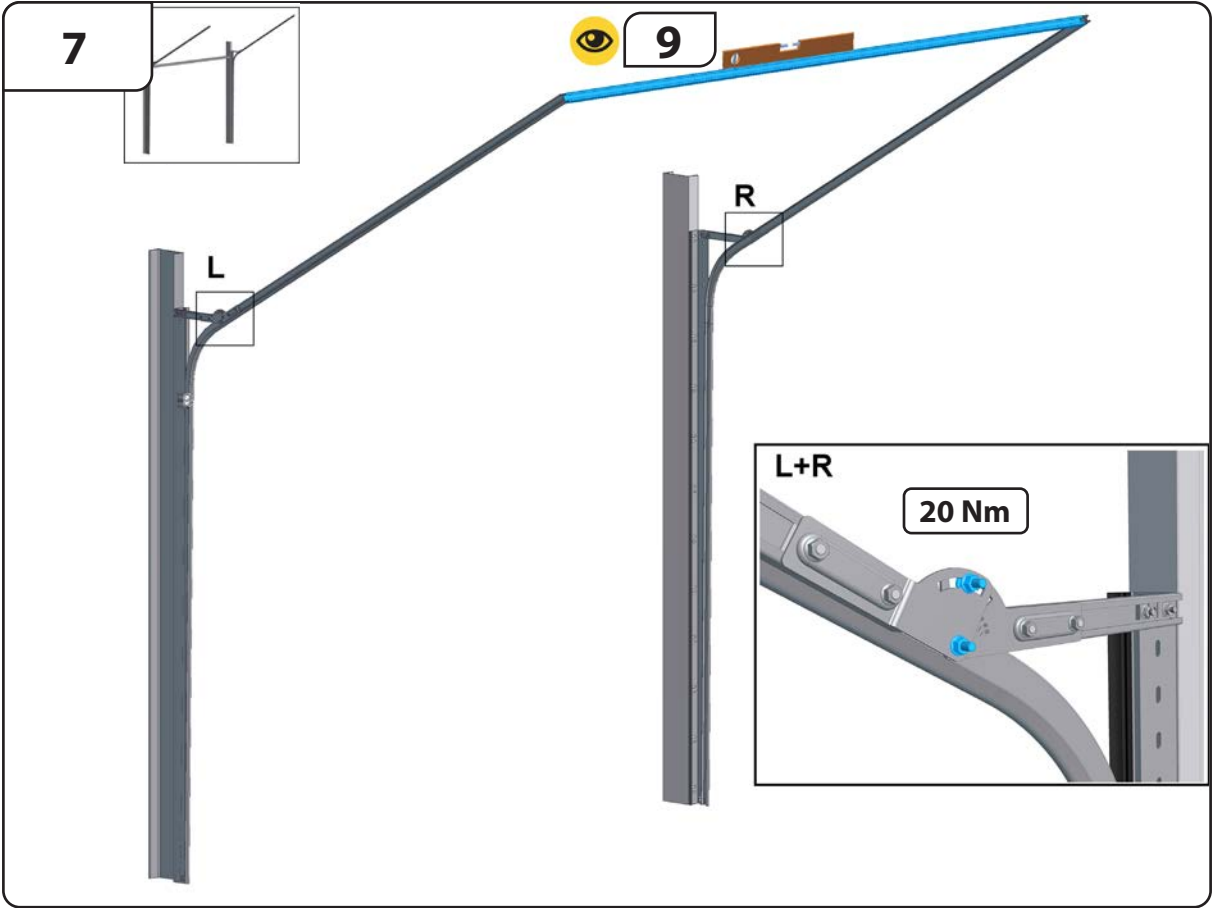


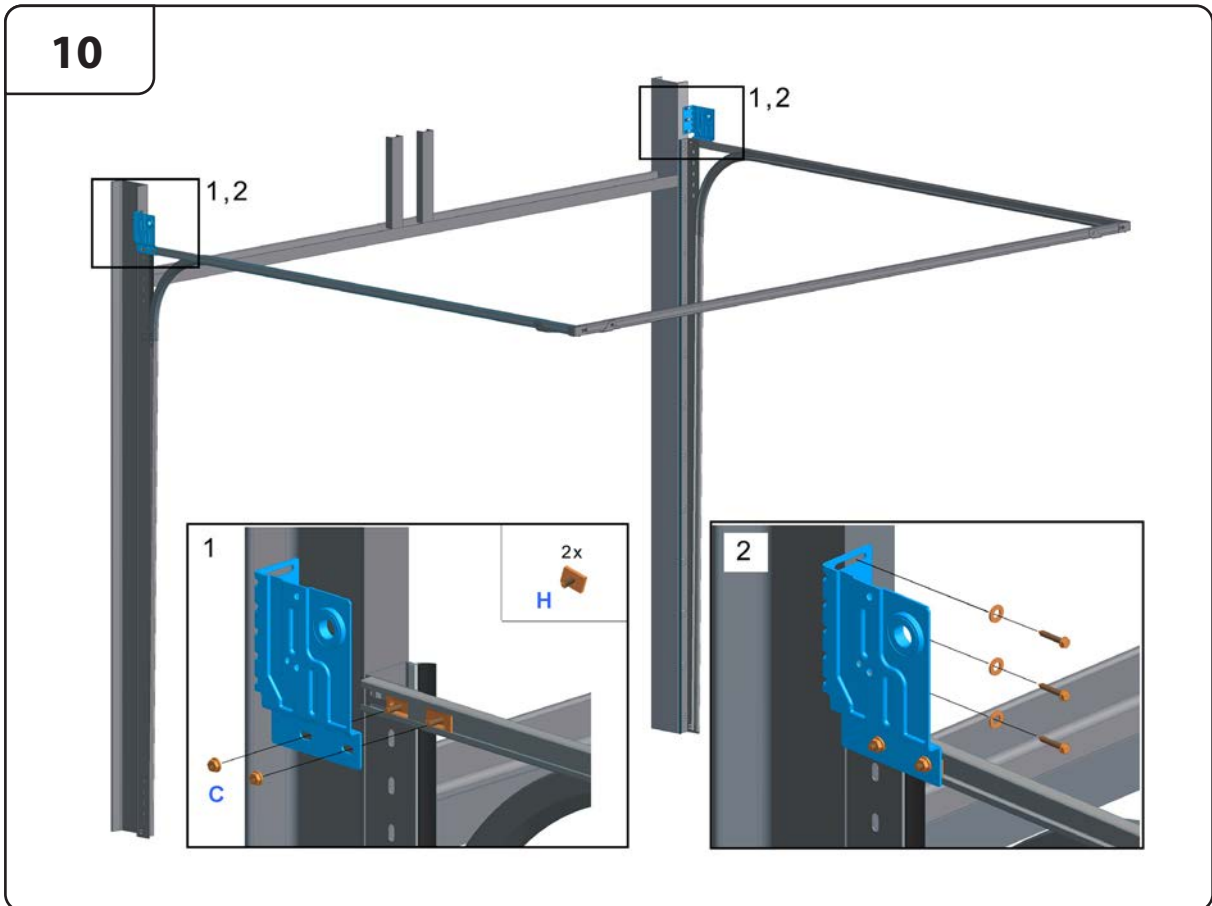
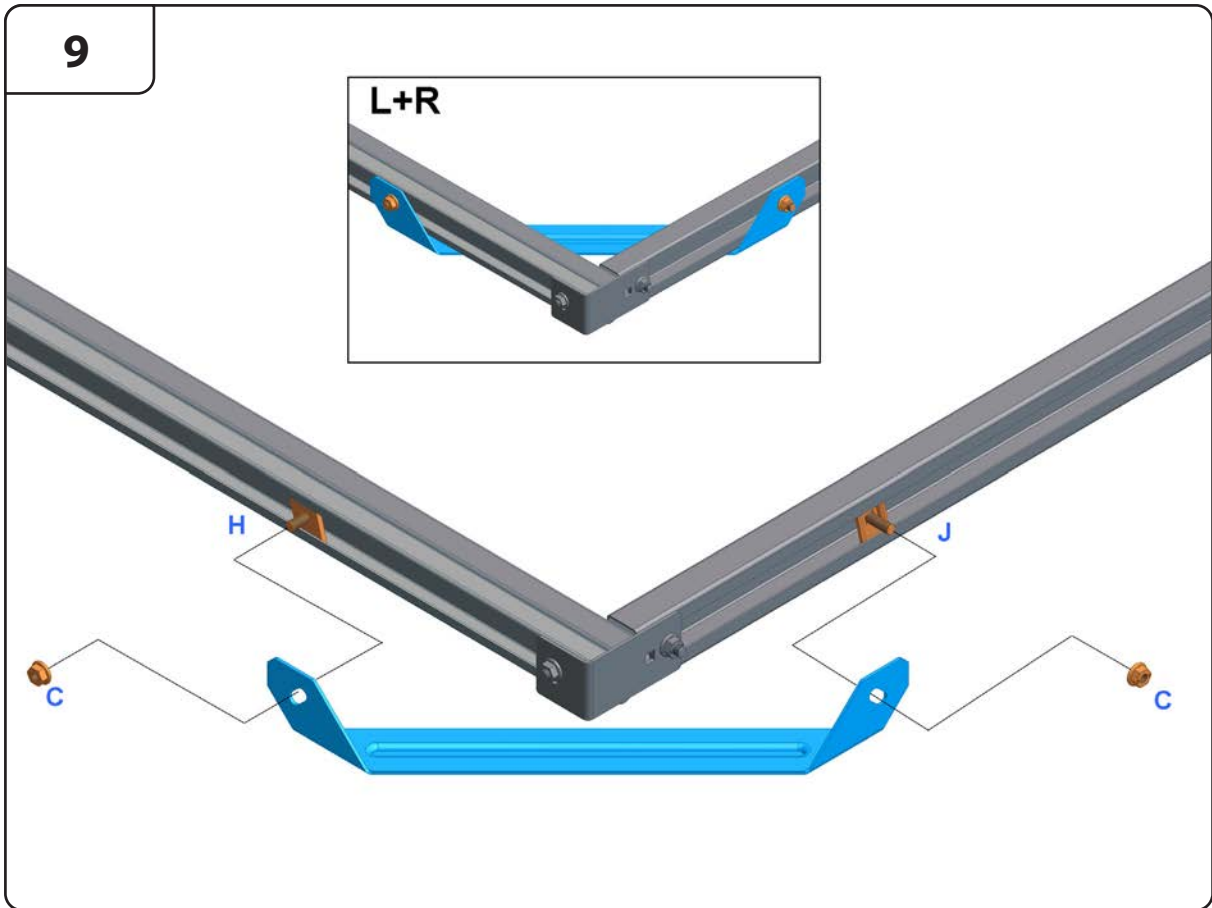
Standard Lift



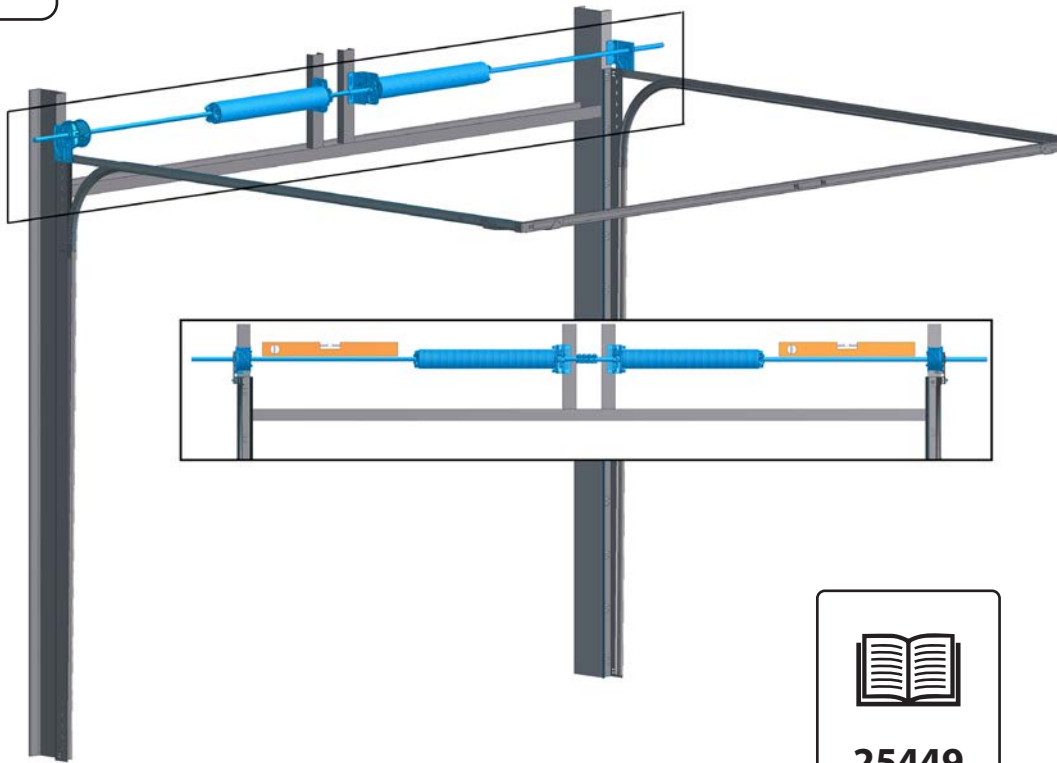


Standard Lift



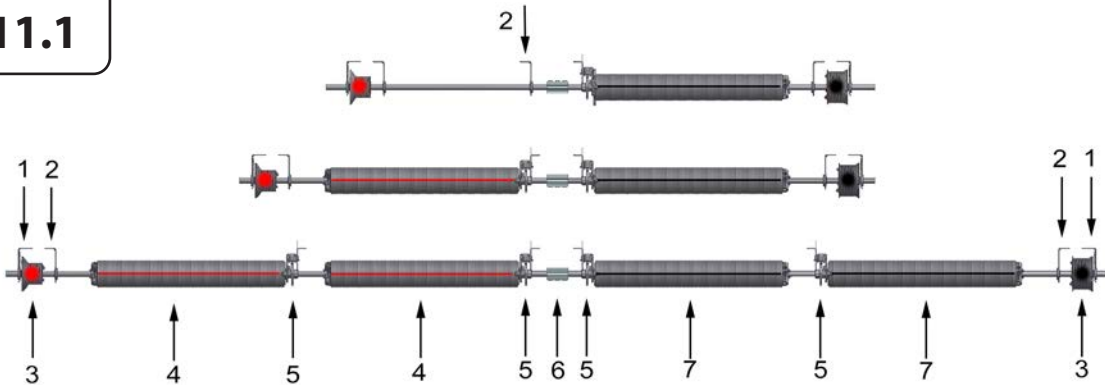


11



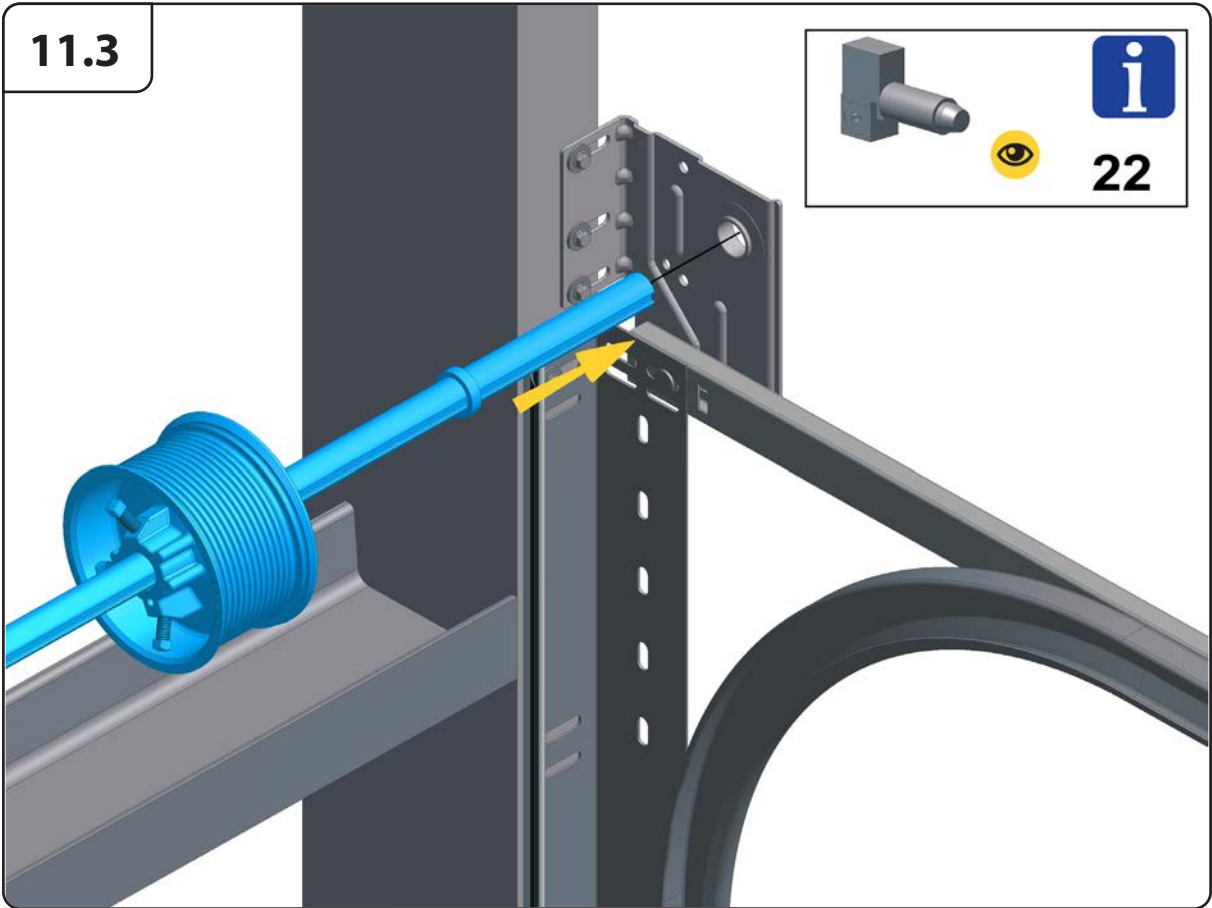
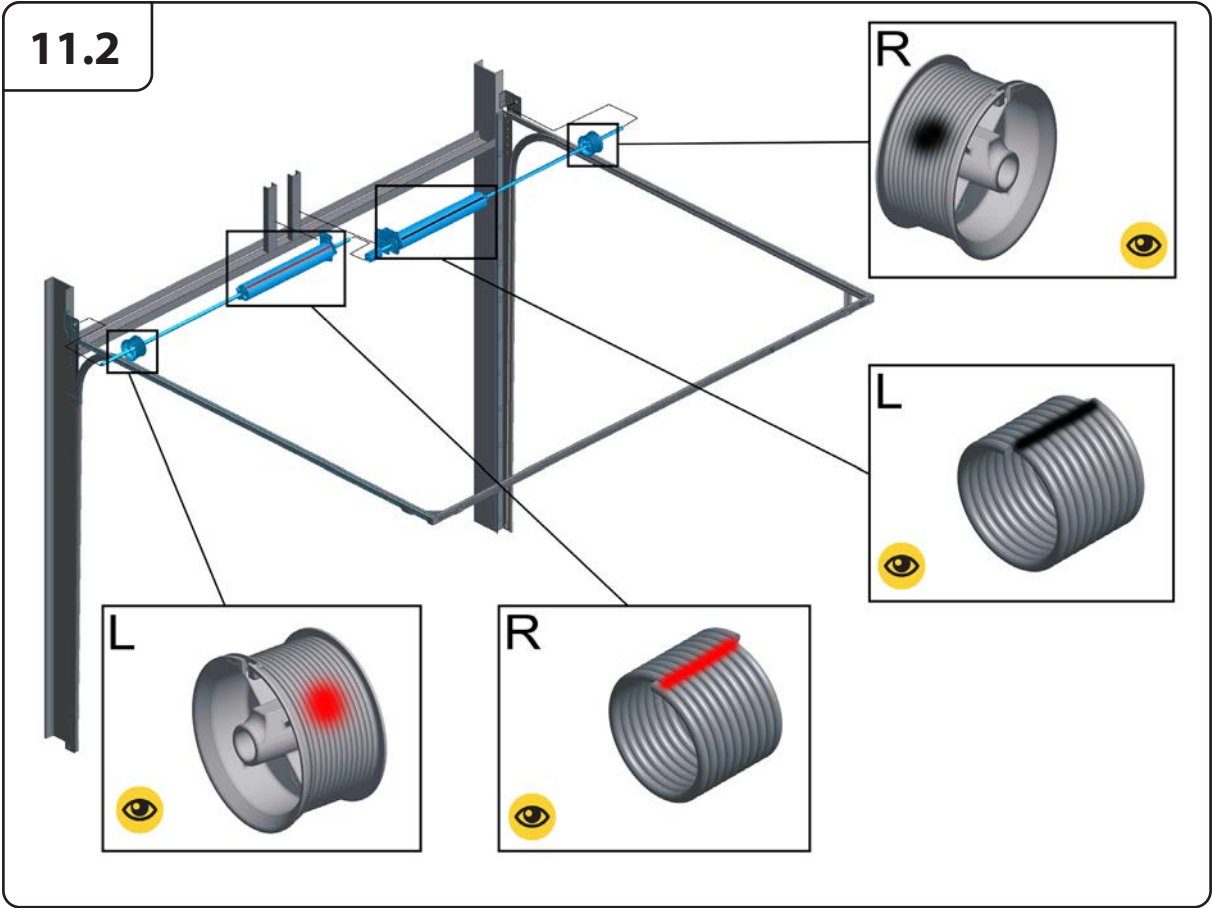
25449

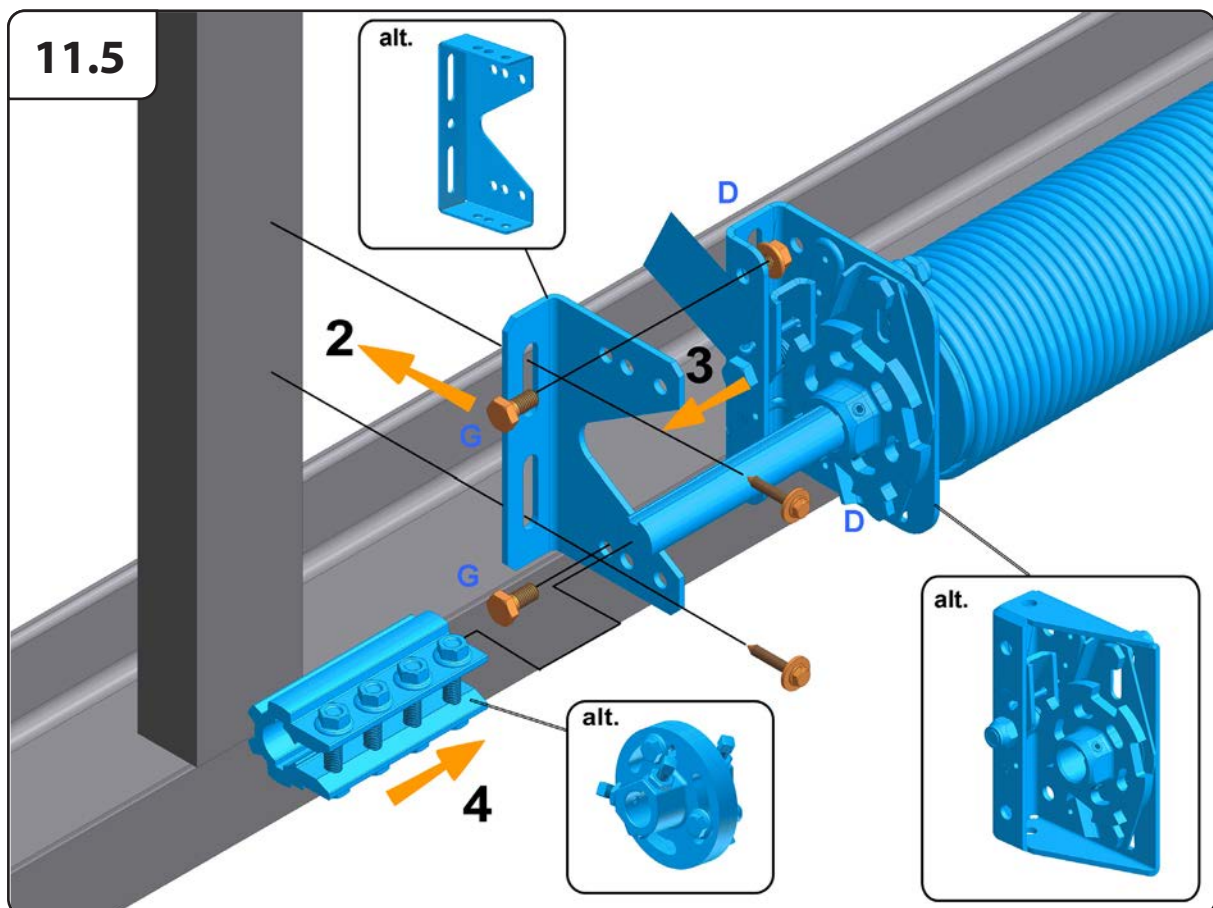
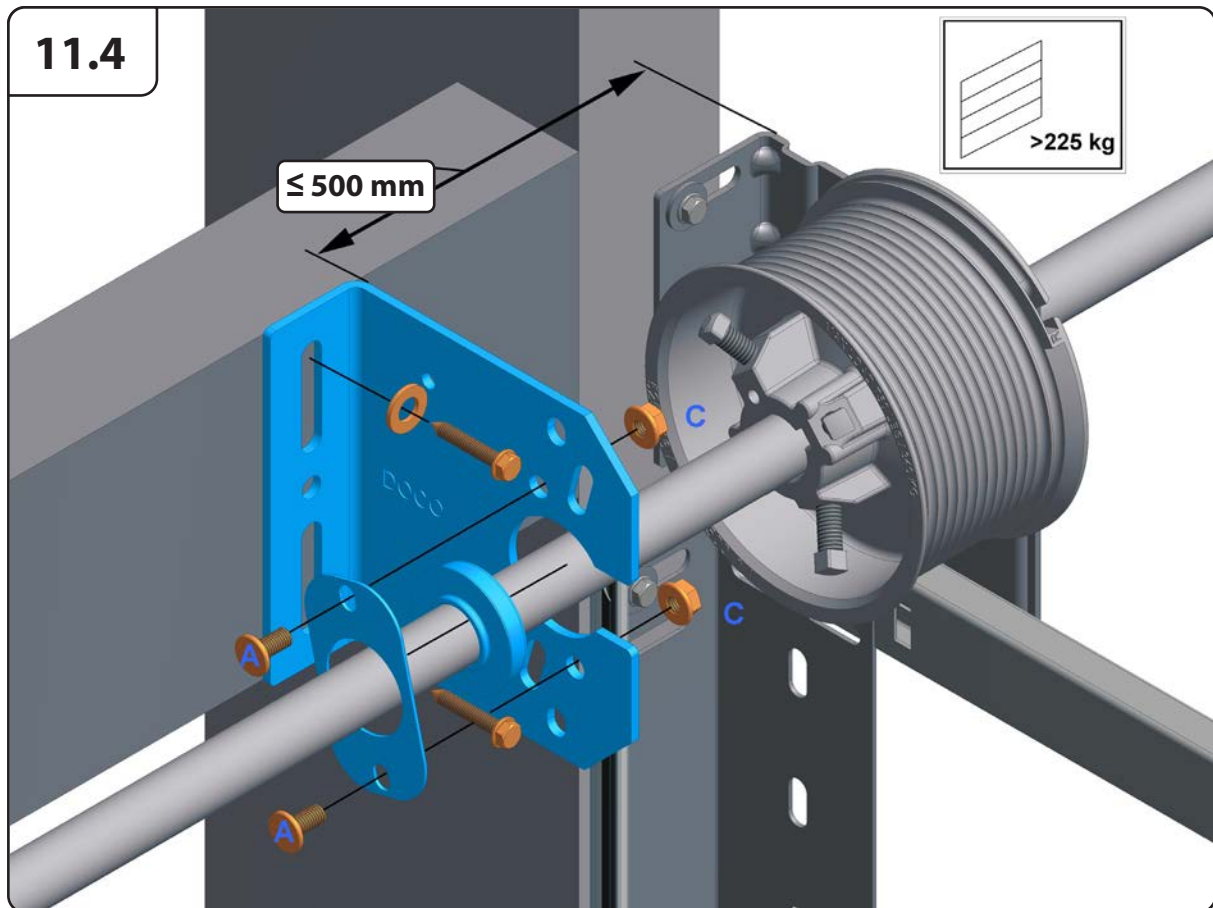
11.1

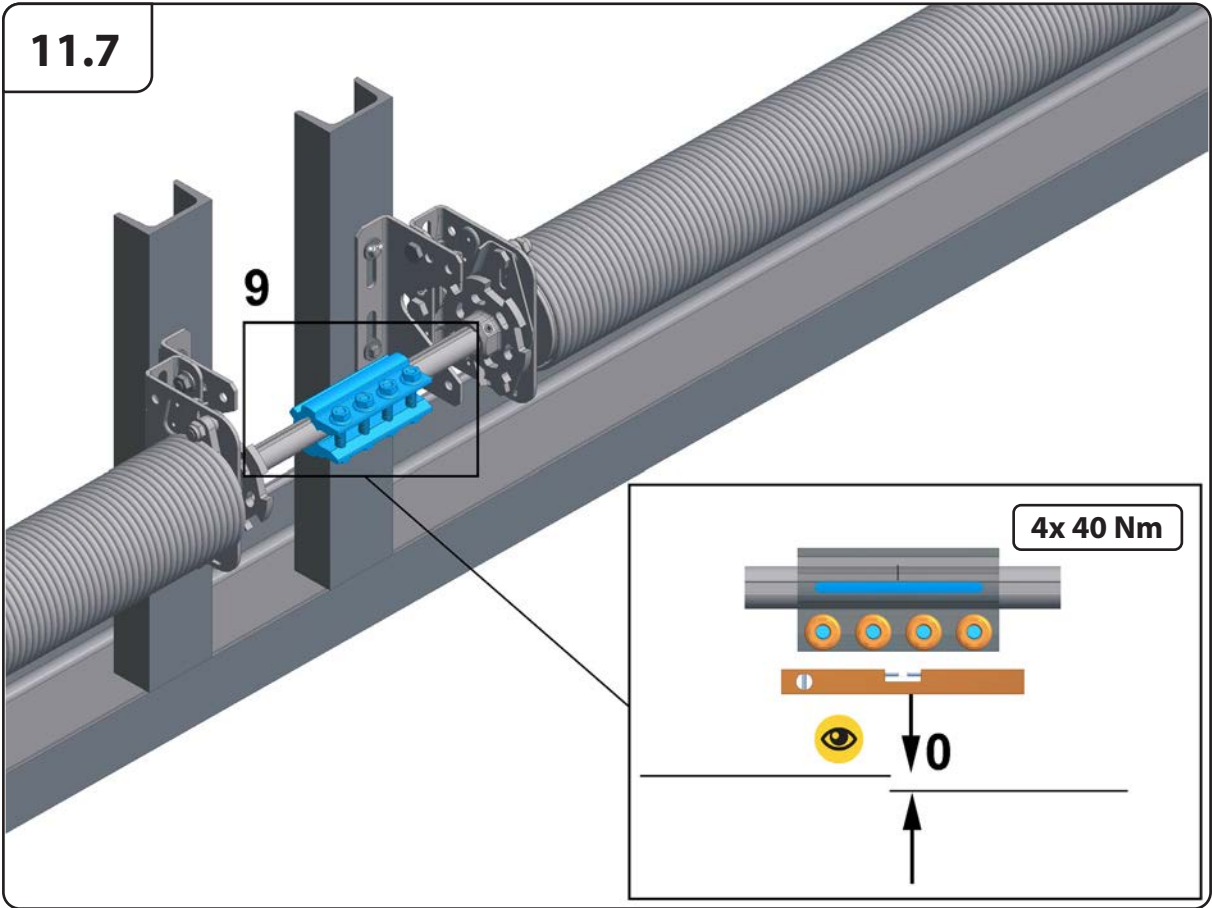
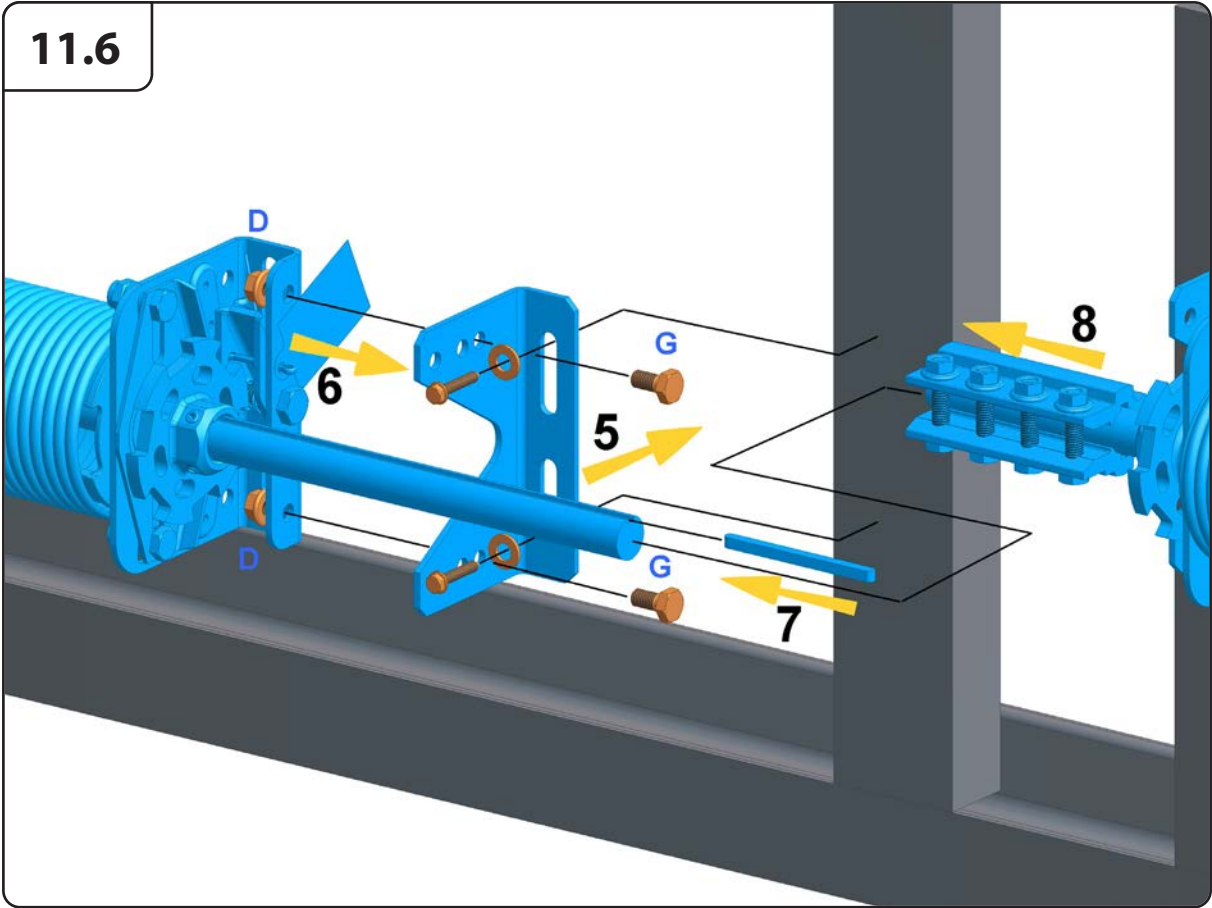


Offset [mm]	End bearing plate 1	Support bearing plate 2*	Drum 3	Spring 4	Spring break device 5	Coupler 6	Spring 7
86	235210 or 130102	13301 + 14002 + 13026 or 13025 + 13026-27 or 13013	Drums with 2 or 0,5 safety wrap (depends of drum), cable outside	Spring Right = Red color code	25449 or 299540/41	25049 or 275001 or 25042	Spring Left = Black or Blue color code
111	235211 or 130103	13302 + 14002 + 13026 or 13025 + 13026-27 or 13014			25449 + 25448 or 299540/41 + 299560		
127	235212 or 130104	13303 + 14002 + 13026 or 13025 + 13026-27 or 13015			25449 + 25448 or 299540/41 + 299560		
152	235213 or 130105 235217 (1,25")	13303 + 14002 + 13026 or 13025 + 13026-27 or 13016 or 13516 (1,25")			25449 + 25448 or 299540/41 + 299560 25549 (1,25") + 299560		

* = only if door > 225kg







12



13.1 - 13.6



Panel assembly
 Paneele montage
 Panneaux montage
 Panel montanje
 Pannelli montaggio
 Montáž na Panel
 Montáž Panelu
 Paneel montage

25450 / 25454

Max. 660 kg
 (system)



25032

Max. 600 kg
 (system)

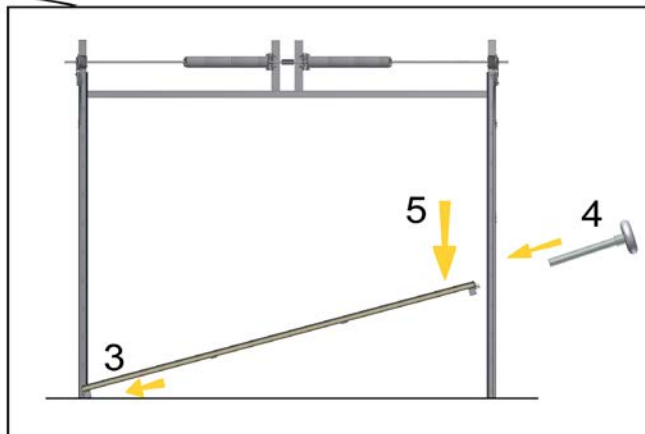
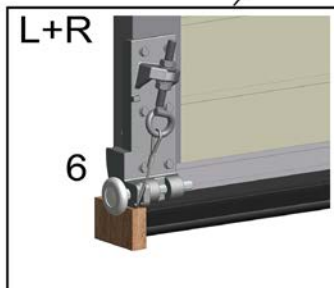
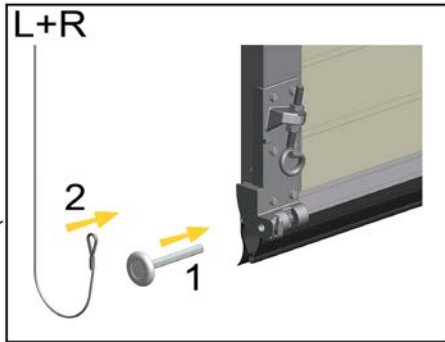
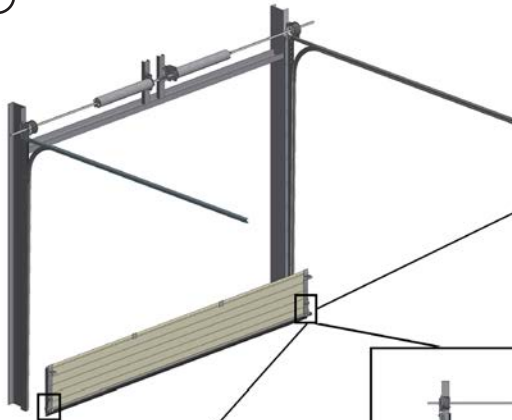


25455

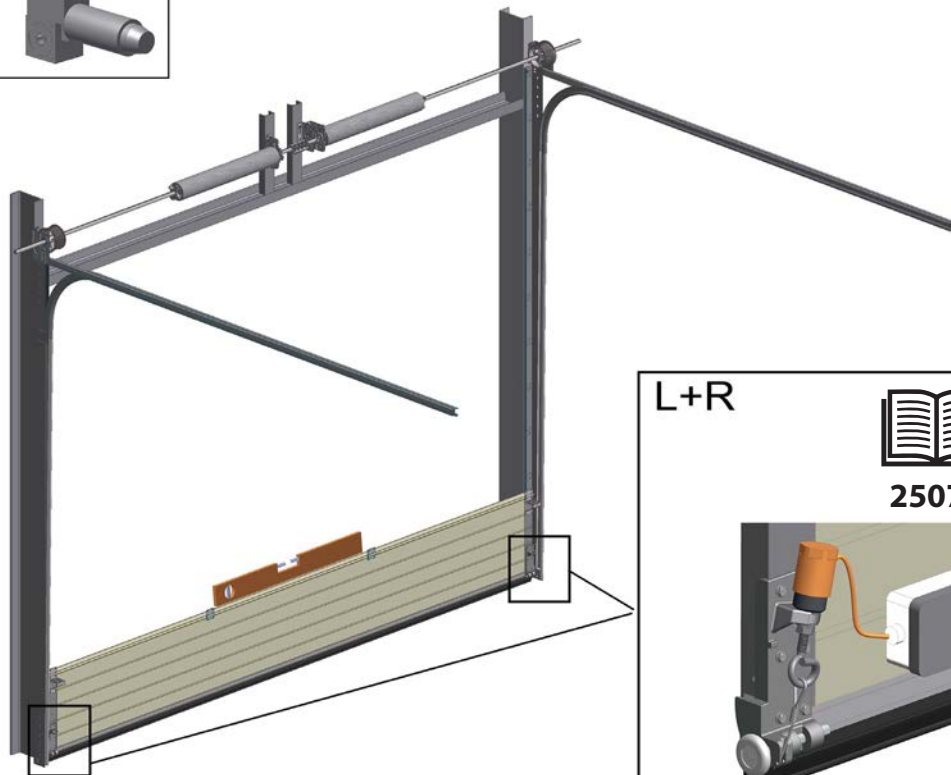
Max. 450 kg
 (system)



12.1



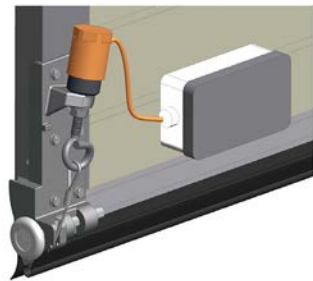
12.2



L+R



25072

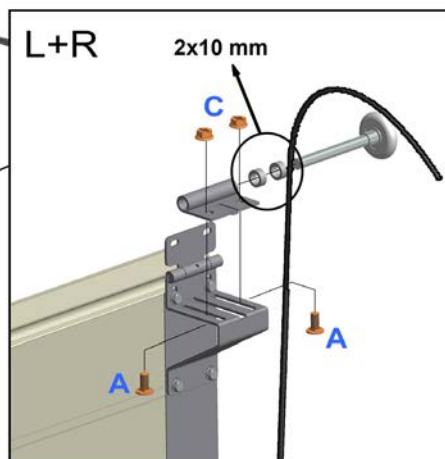


12.3

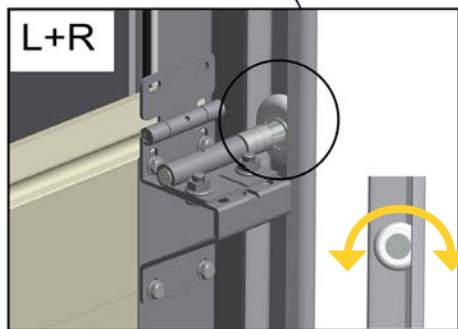


L+R

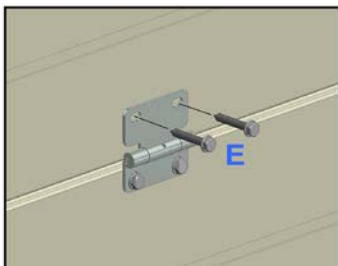
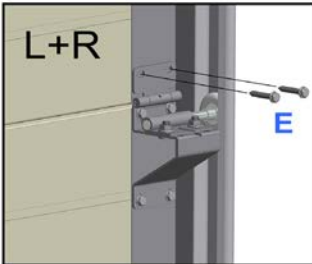
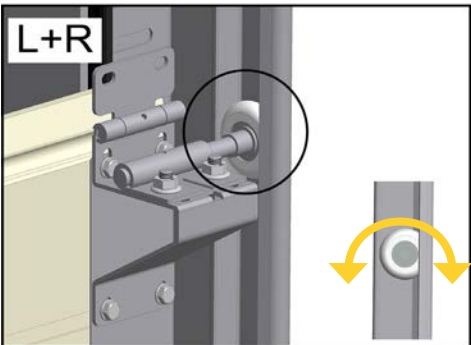
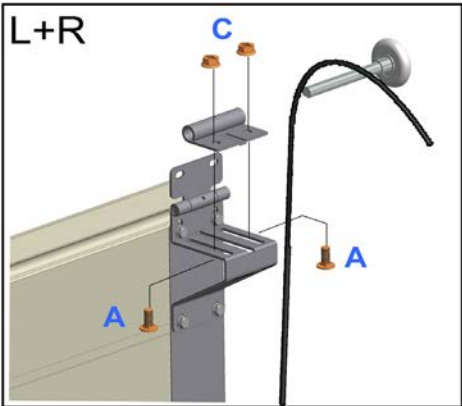
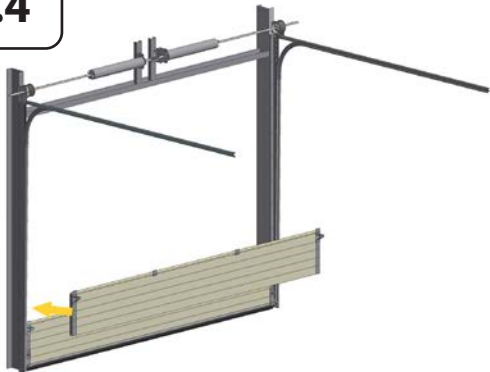
2x10 mm



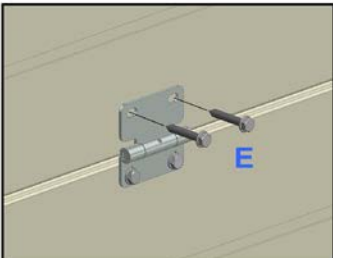
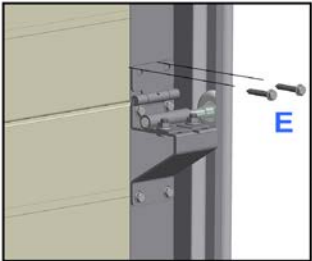
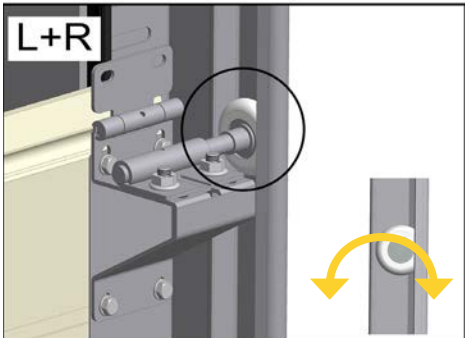
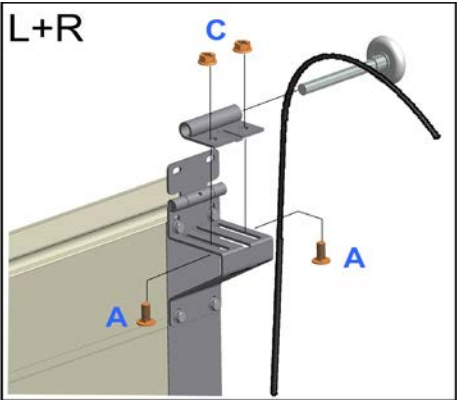
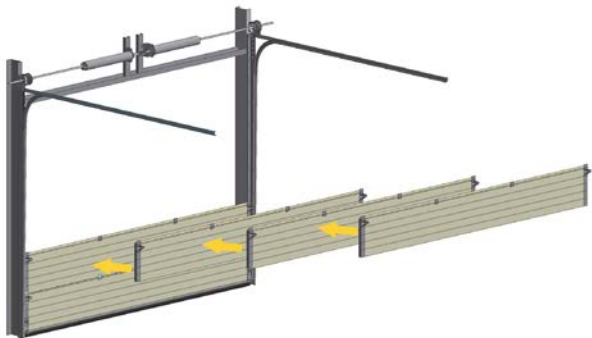
L+R



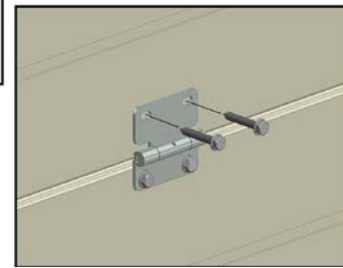
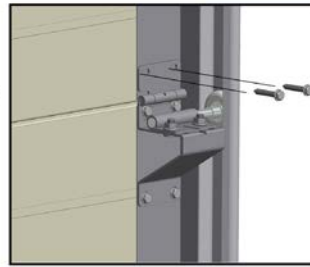
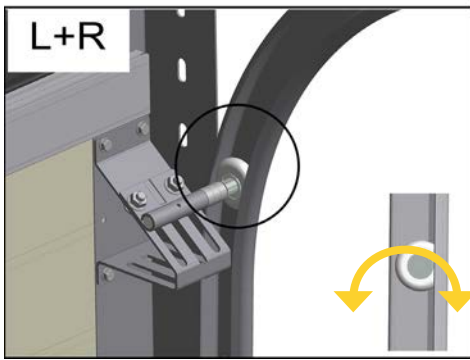
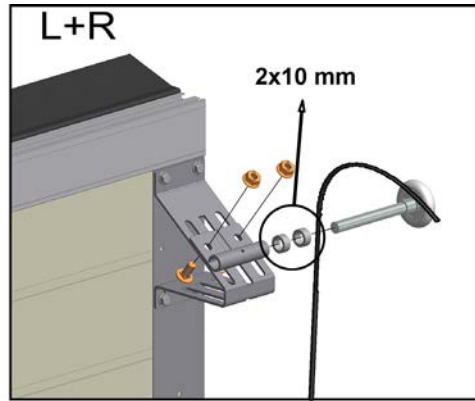
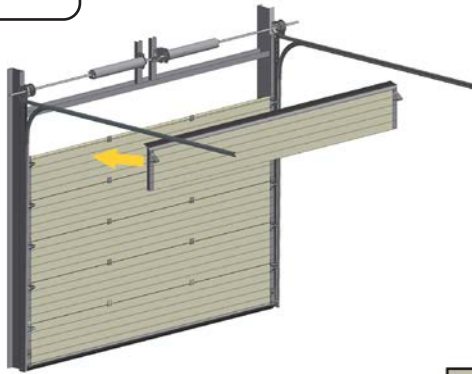
12.4



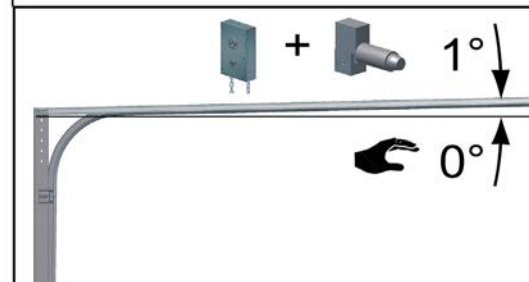
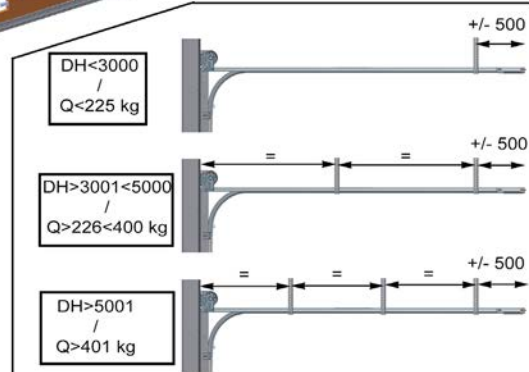
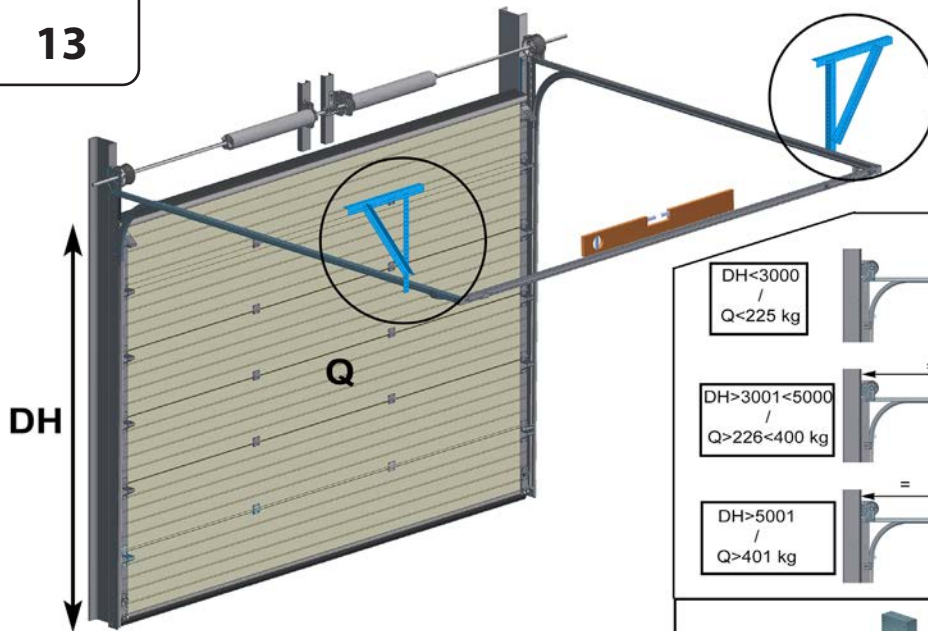
12.5



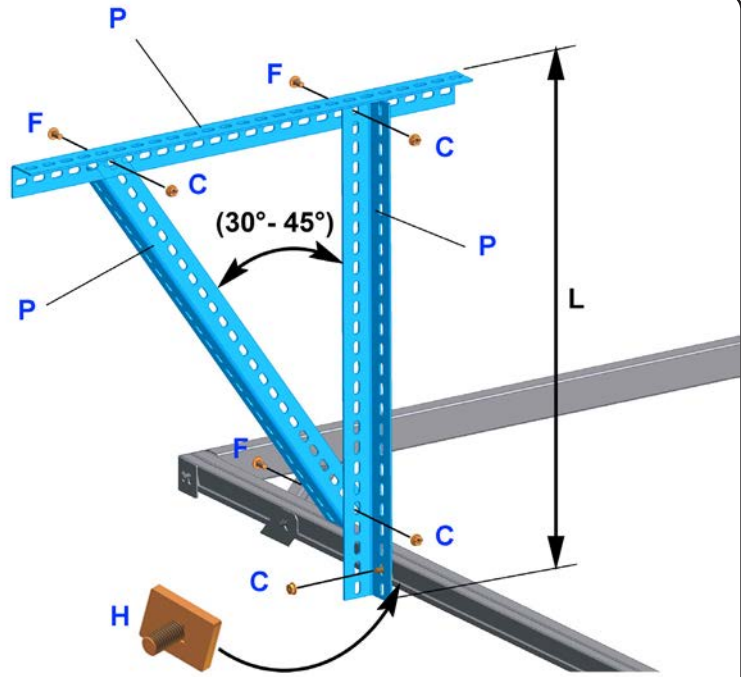
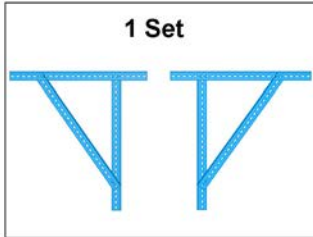
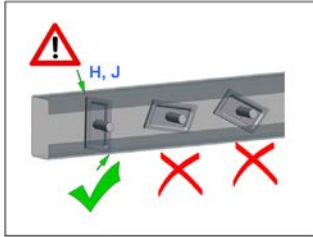
12.6



13



13.1

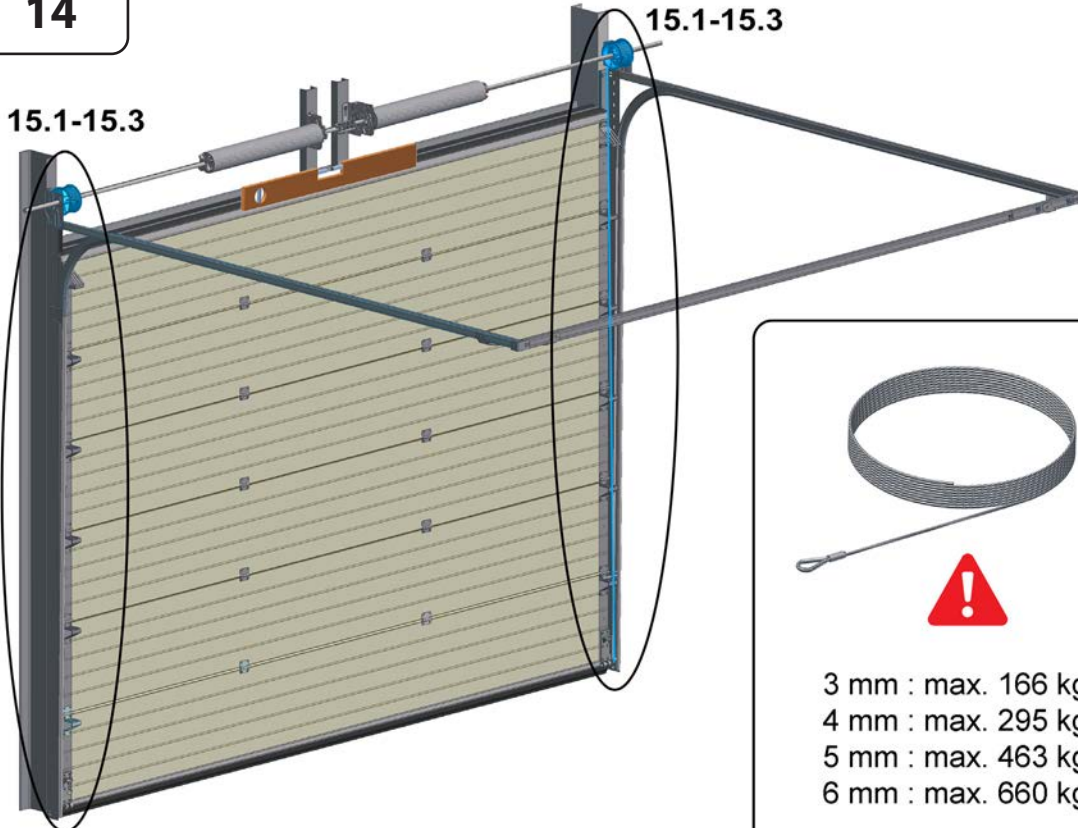


Set	L [mm]	P [mm]
Set 1	0 - 1000	L 40x40x2,5
Set 2	0 - 1300	L 50x50x3
Set 3	1301 - 2500	L 50x50x3

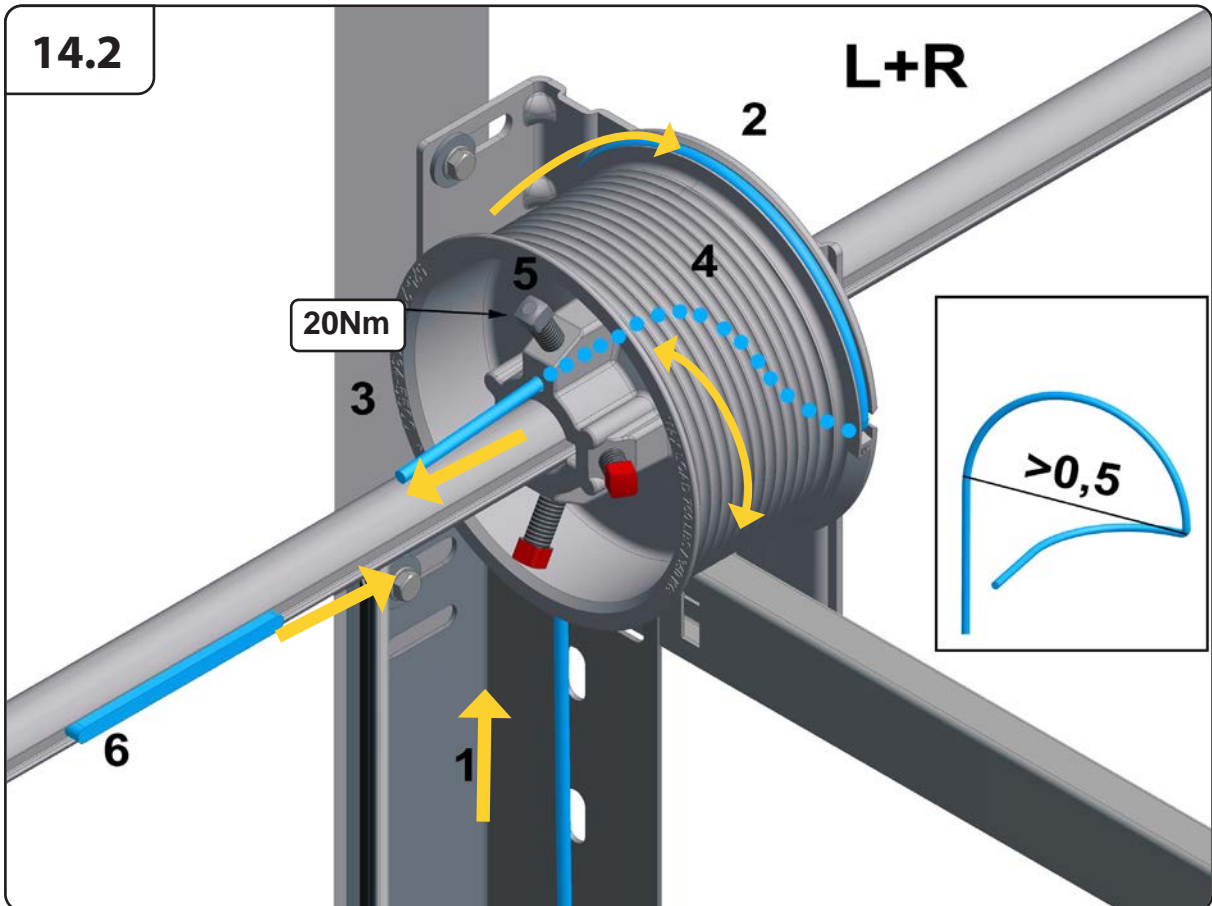
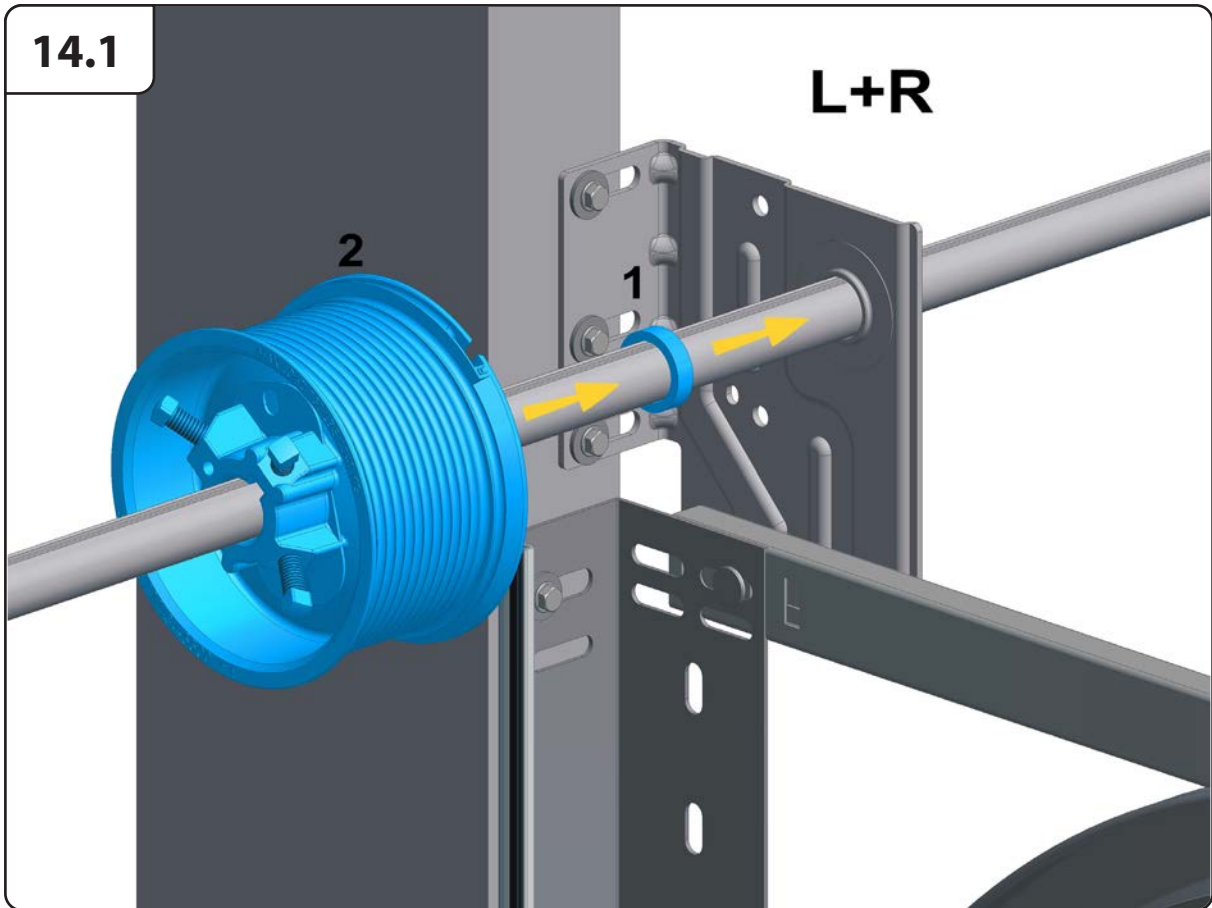
14

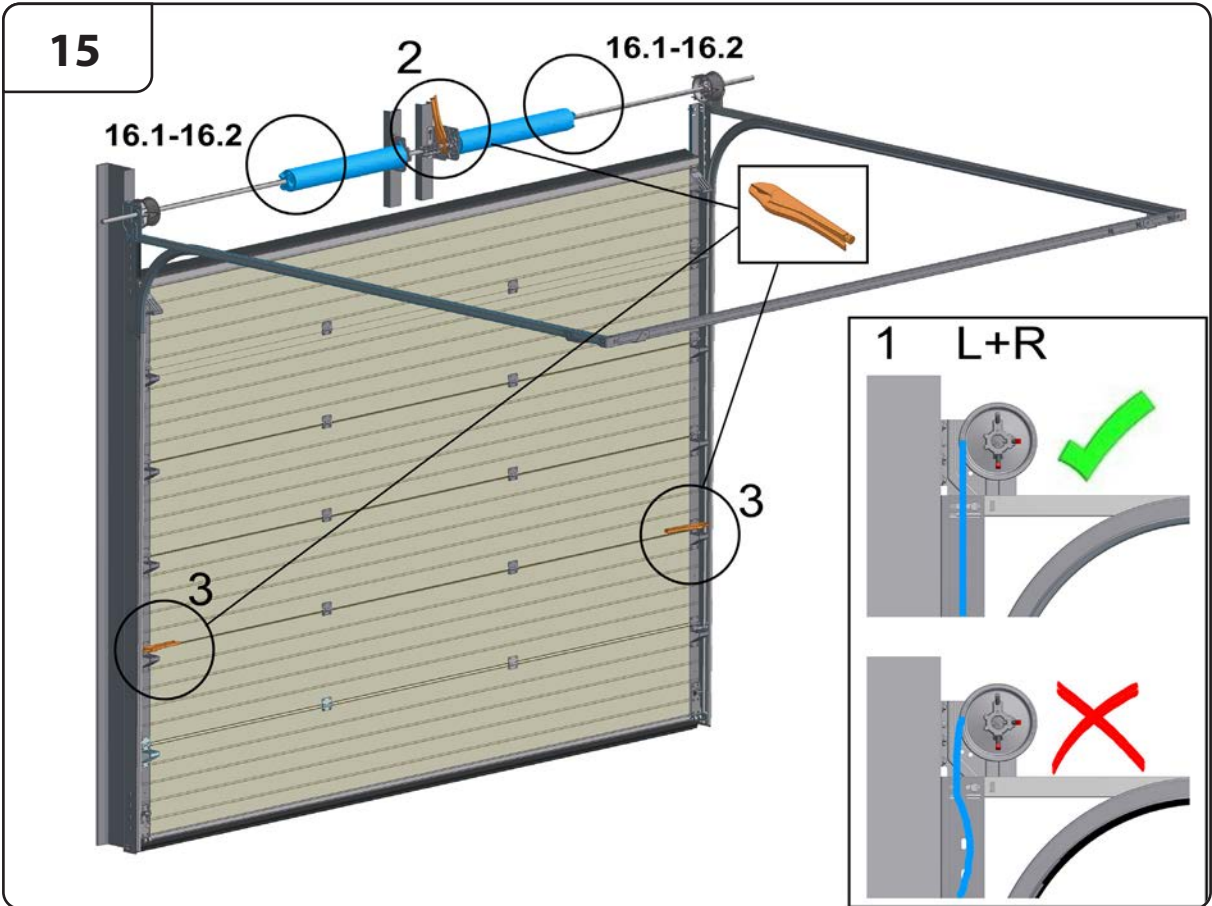
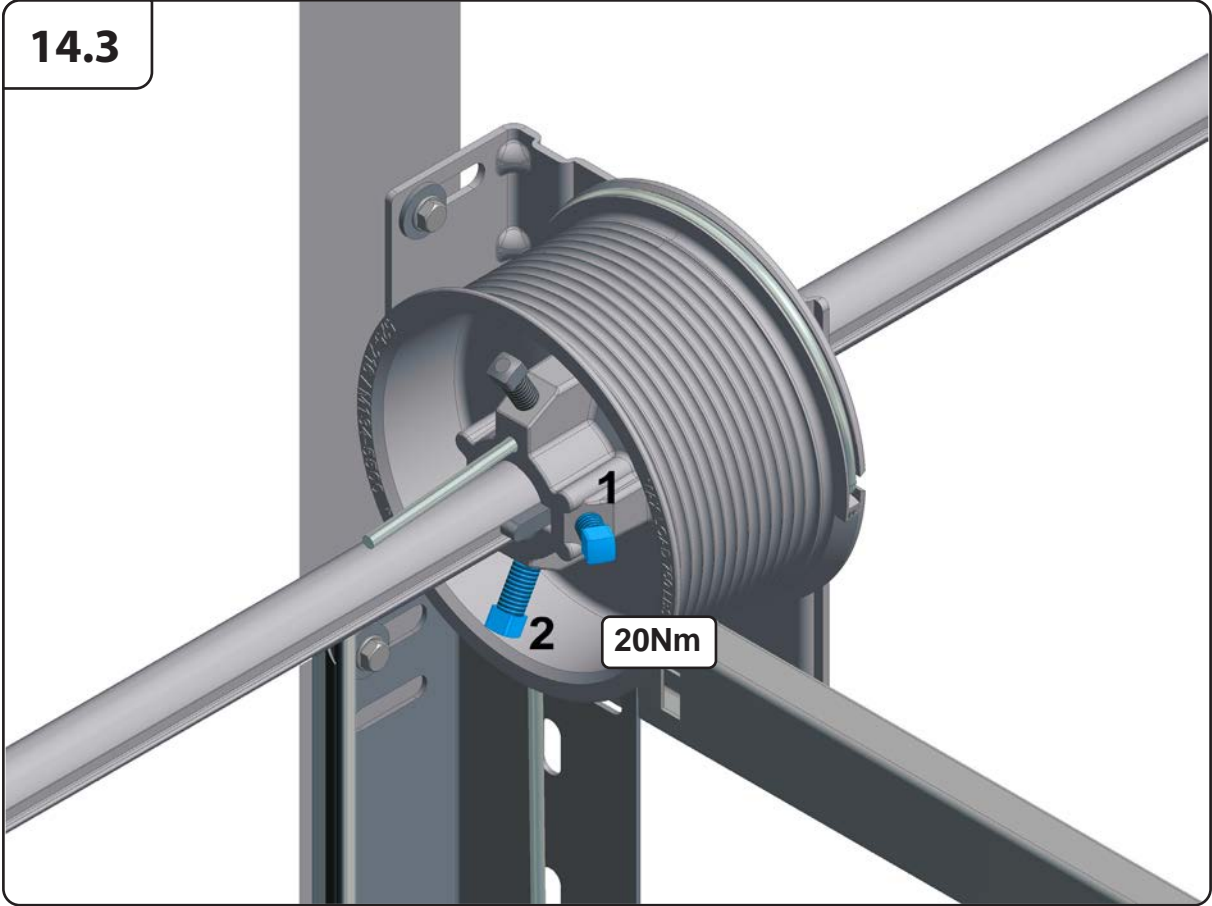
15.1-15.3

15.1-15.3

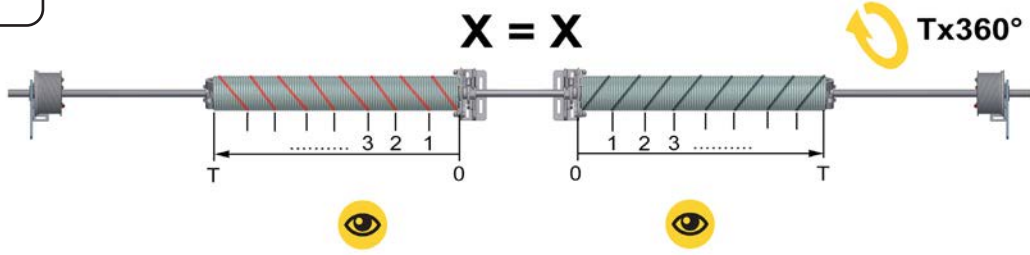


3 mm : max. 166 kg
 4 mm : max. 295 kg
 5 mm : max. 463 kg
 6 mm : max. 660 kg

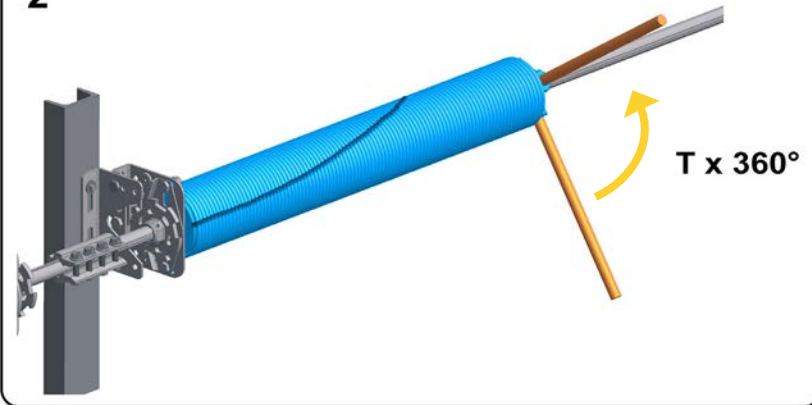




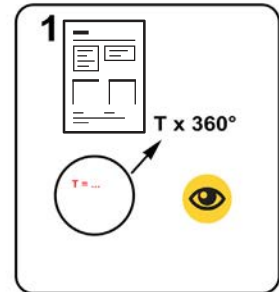
15.1



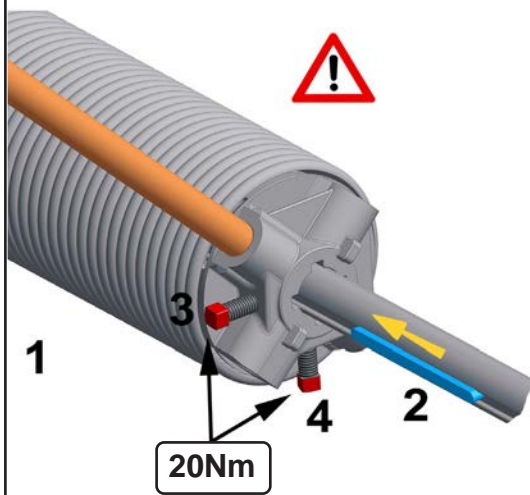
2



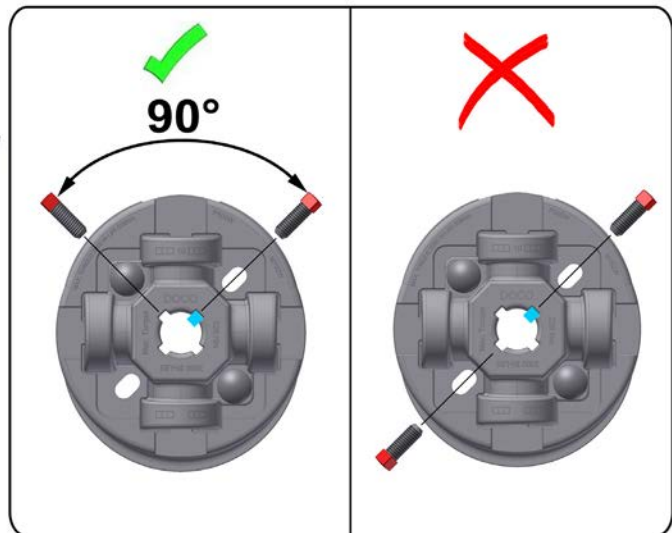
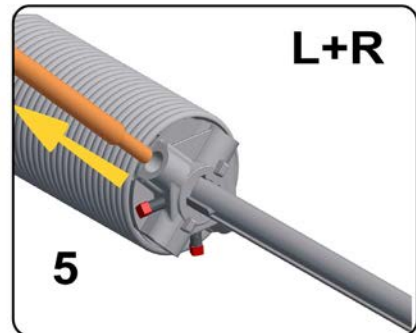
1



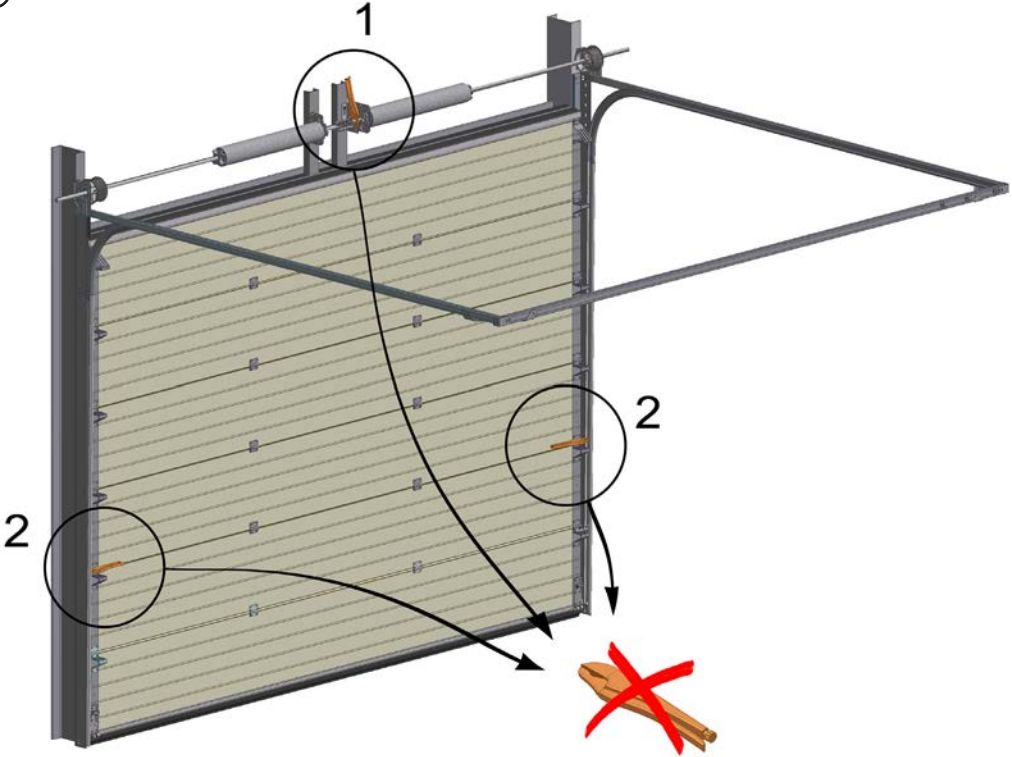
15.2



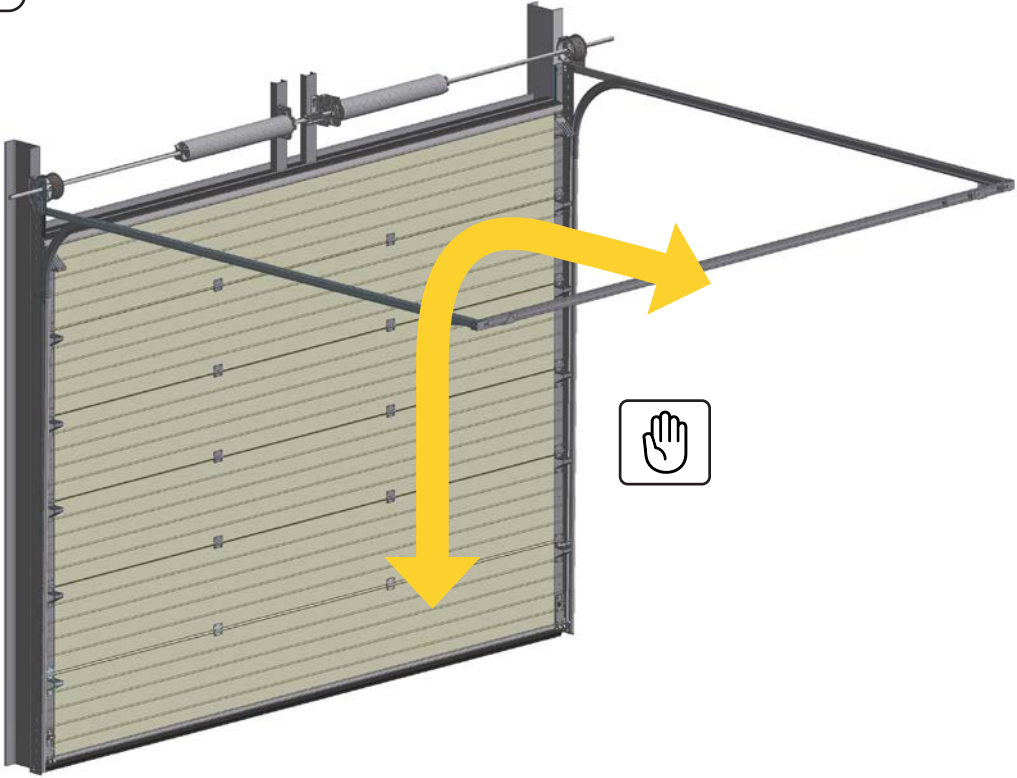
L+R



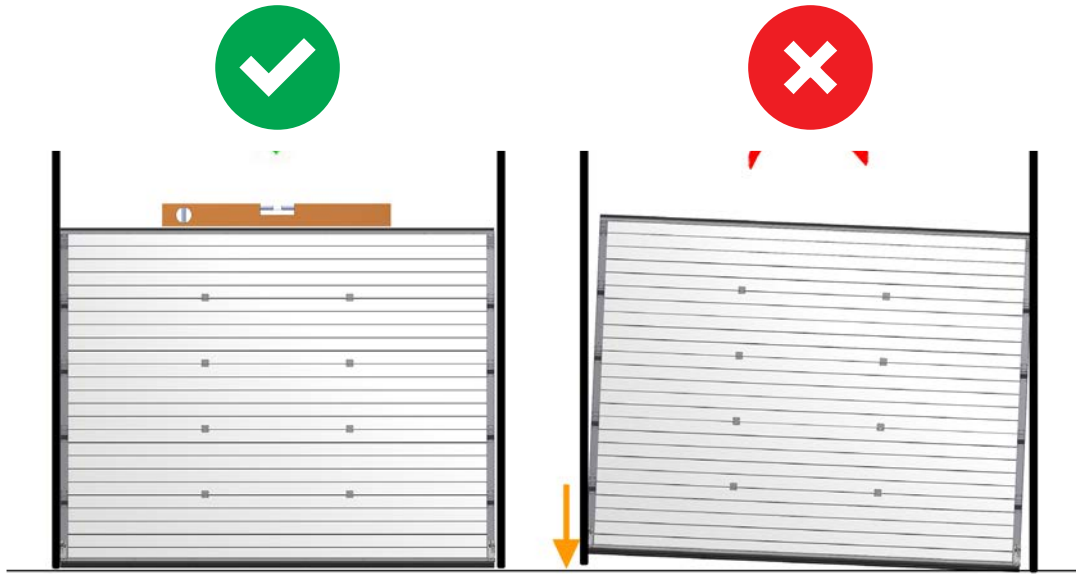
15.3



16

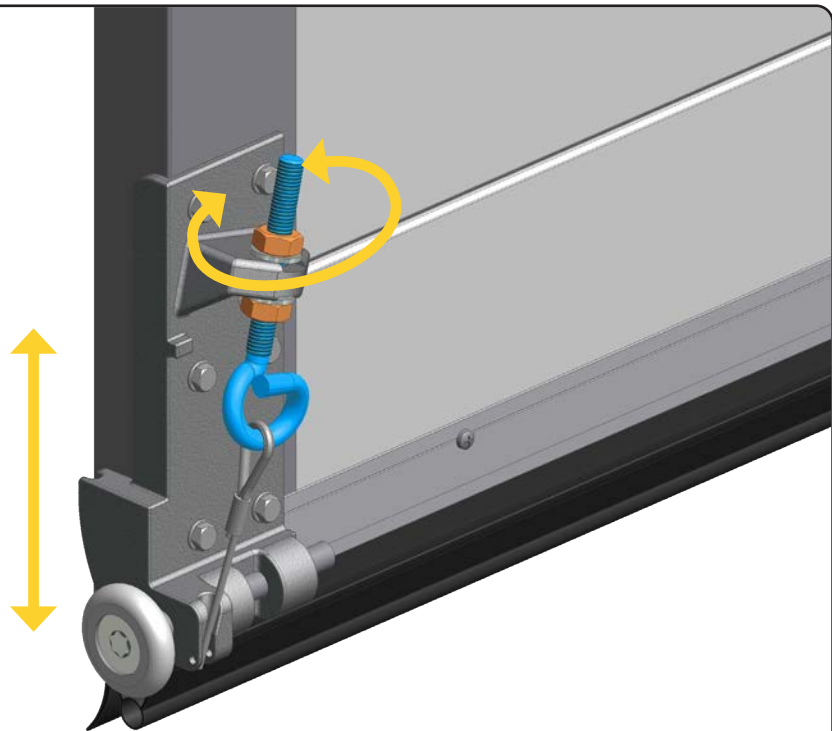


16.1



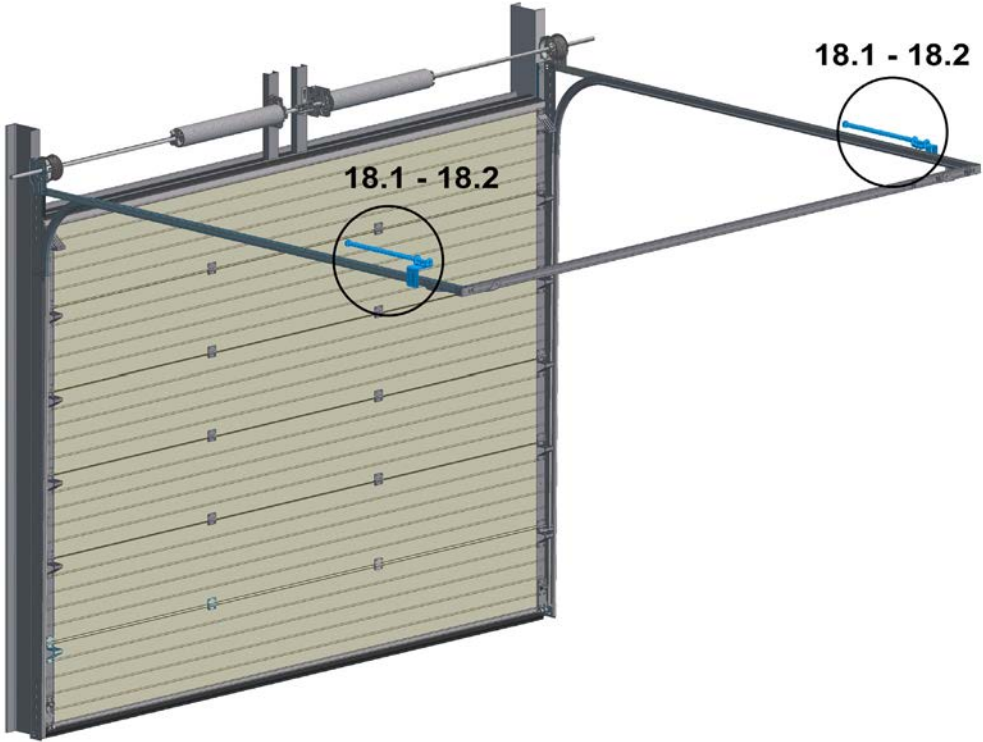
16.2

L+R

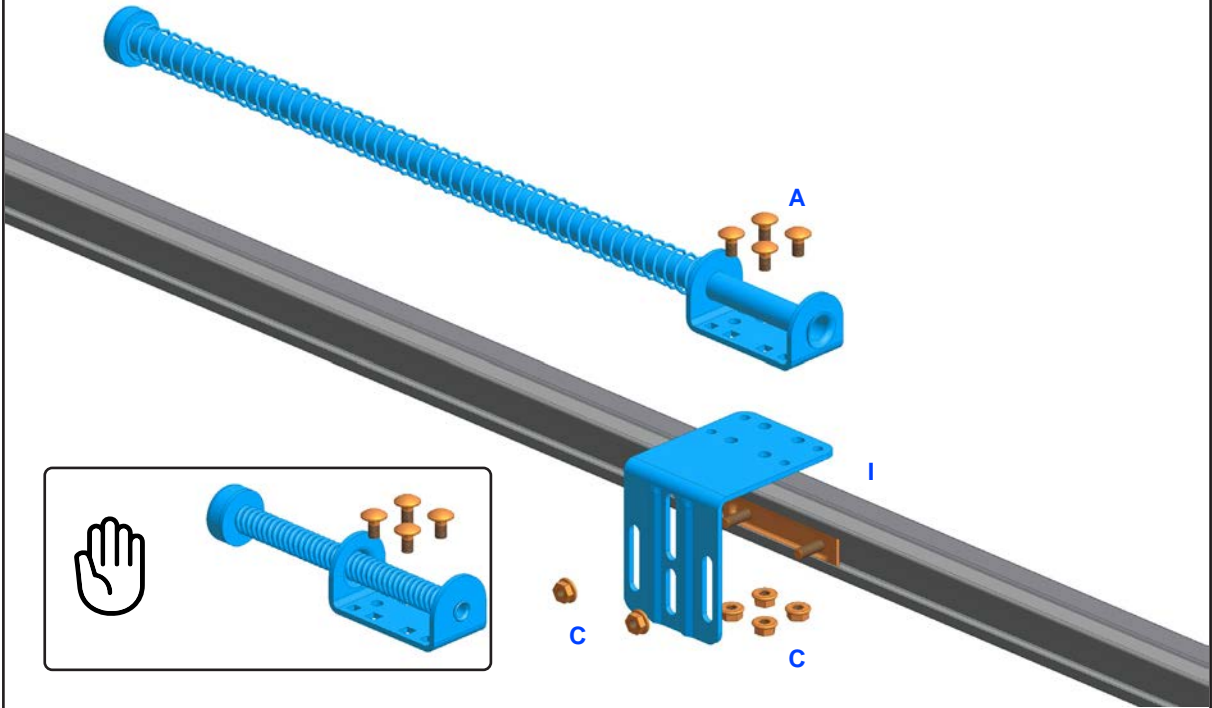


Standard Lift

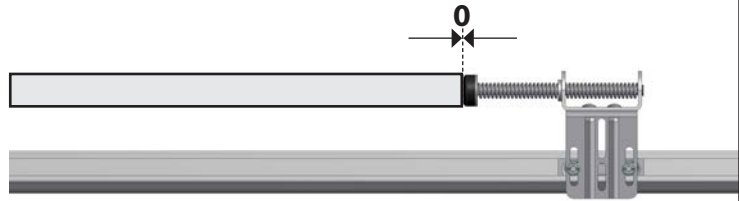
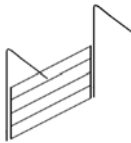
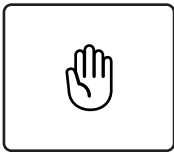
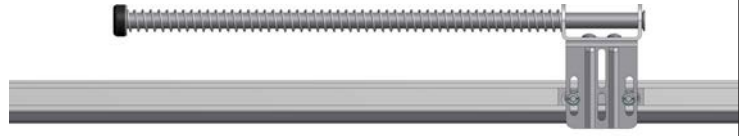
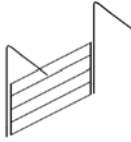
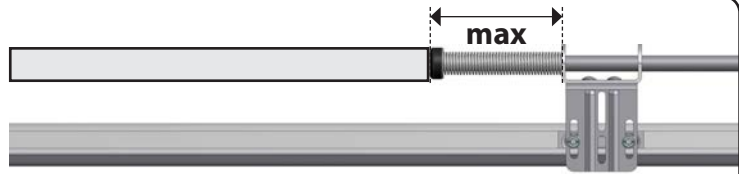
17



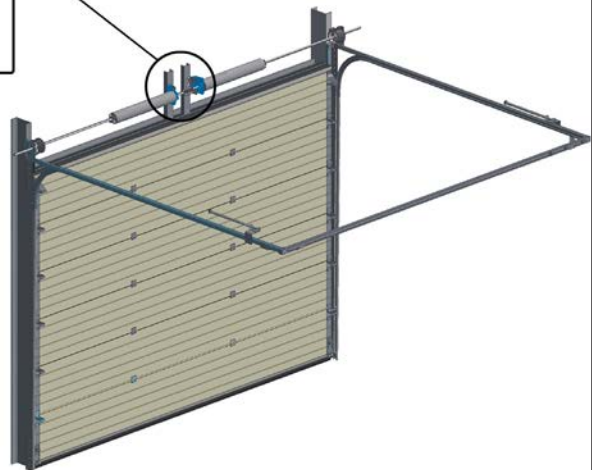
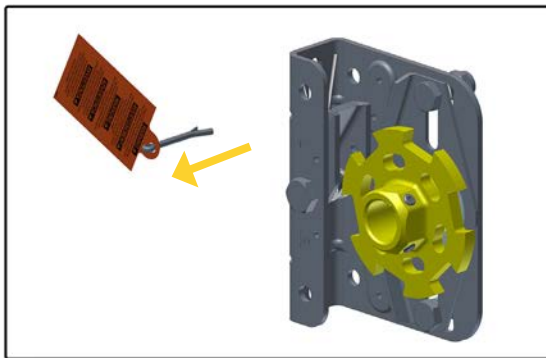
17.1

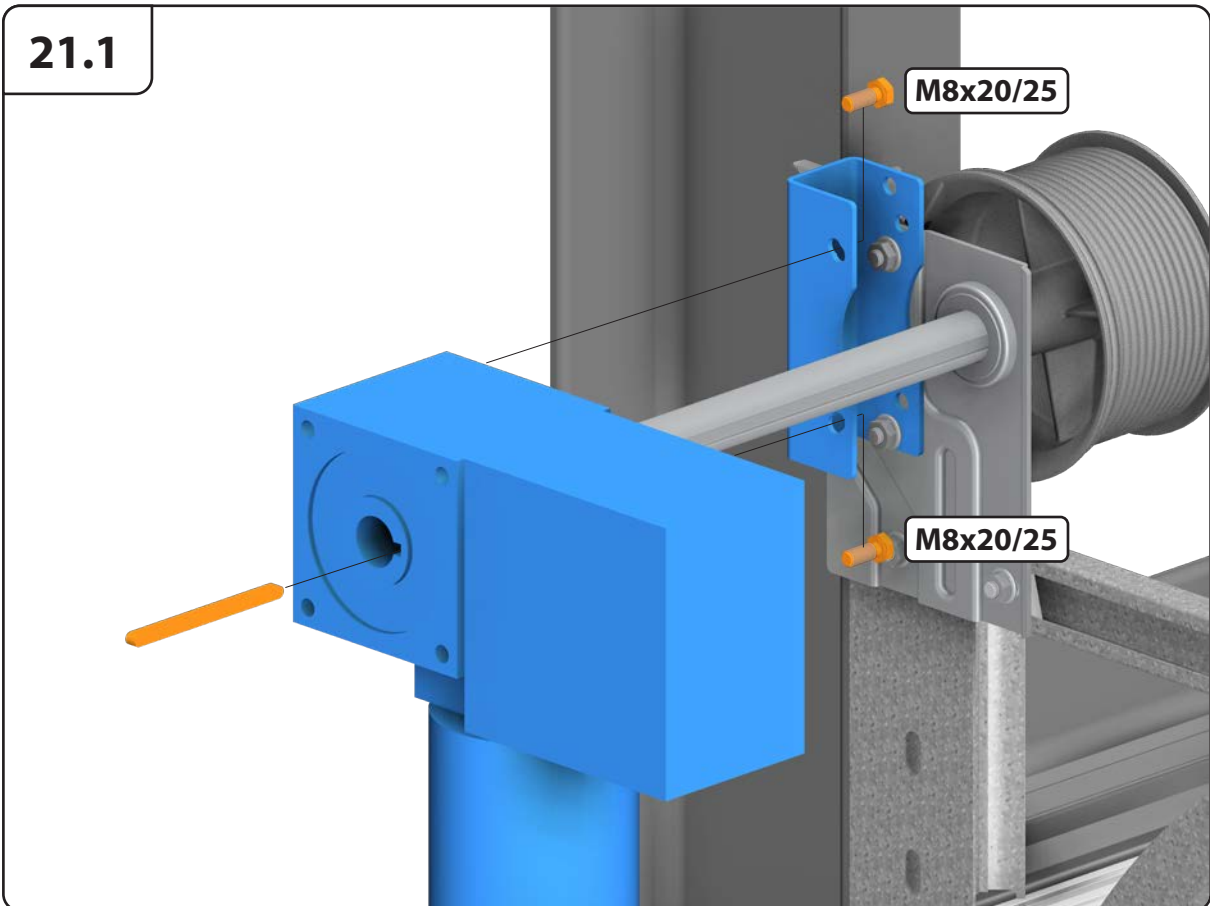
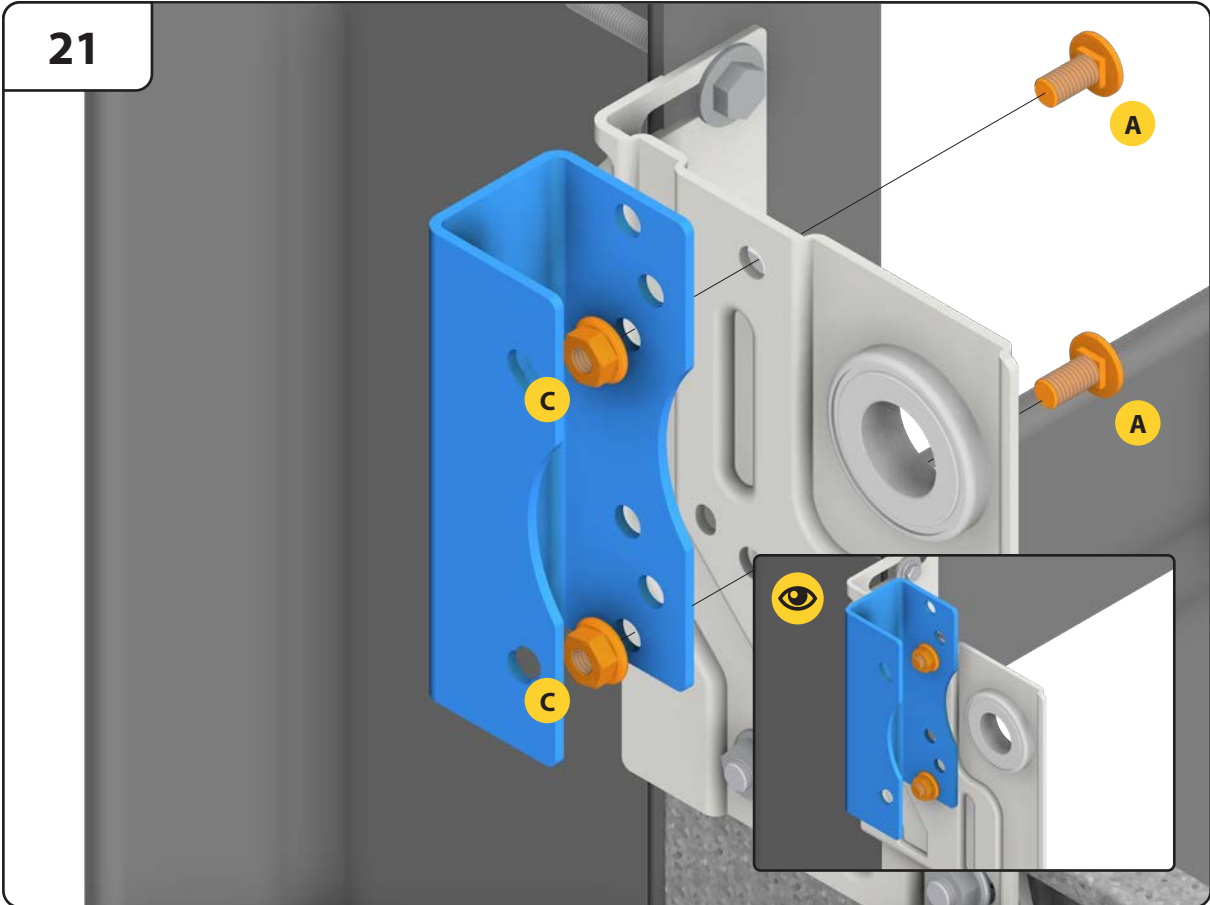


17.2



18





Subsidiaries

DOCO International B.V.

Nusterweg 96
6136 KV Sittard
The Netherlands
Phone +31 464200666
Fax +31 464526894
info@doco-international.com

**DOCO International
Central Europe S.R.O.**

Háj 352
798 12 Kralice na Hané
Czech Republic
Phone +420 582360100
Fax +420 582360300
info@doco-international.com

**DOCO International Ltd.
t/a SOMMER DOCO**

Unit B3 Elvington Industrial Estate
Elvington
York
YO41 4AR
United Kingdom
Phone +44 1904607869
Fax +44 1904607299
sales@doco-international.co.uk

DOCO SOMMER Ibérica S.L.U.

Avenida Generalitat 55
P.I. "Can Met Sidru"
08530 La Garriga - Barcelona
Spain
Phone +34 938612825
Fax +34 938716592
pedidos@doco-sommer.com

Sales Offices

SOMMER Automazioni s.r.l.

Localita Le Basse 33
38123 - Trento TN
Italy
Phone +39 0461263863
Fax +39 0461269247
italia@sommer.eu

SOMMER Polska Sp.z.o.o.

Al. Jerozolimskie 439
05 - 800 Pruszków
Poland
Phone +48 222302100
biuro@sommer-polska.pl

SOMMER Kft.

II. Rákóczi Ferenc út 277
1214 Budapest
Hungary
Phone +36 12780261
Fax +36 12764439
info@sommerkft.hu

**SOMMER Automation
& Radio Co., Ltd.**

Fengrao Road 388
201801 Shanghai, Malu County
Jiading District, Shanghai
China
Phone +86 2169153919
Fax +86 2169153155
sales@sommer-china.com.cn

