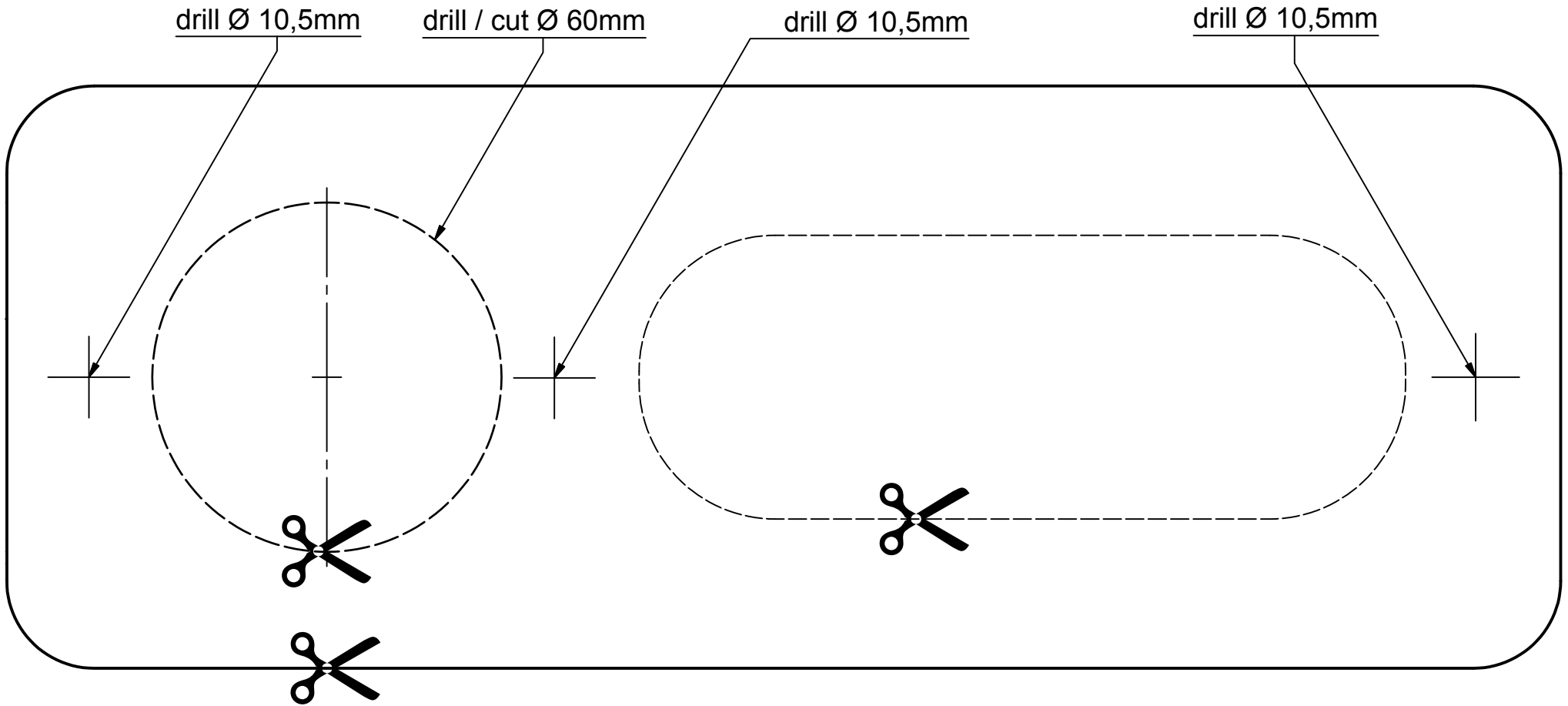




VIEW1 ( 1 : 1 )



Use this drawing as a template for panel cutting/drilling. Check if the template is 1:1 by comparing the geometry.

		Material :	Finish :												
		Part number : 25226													
<table border="1"> <tr> <td></td> <td>Date</td> <td>Name</td> </tr> <tr> <td>Drawn</td> <td>9-10-2009</td> <td>LM</td> </tr> <tr> <td>Checked</td> <td></td> <td></td> </tr> <tr> <td>Standard</td> <td></td> <td></td> </tr> </table>			Date	Name	Drawn	9-10-2009	LM	Checked			Standard			Description :	
	Date	Name													
Drawn	9-10-2009	LM													
Checked															
Standard															
		Cutting / drilling template													
<b>Tolerances are not valid</b>		Units : mm	Drawing nr.: 25226												
				REV : 0											
			Page : 1 A4												