



**DOCO**  
door solutions

# **FLOOD** Barrier

Product Information

# FLOOD Barrier

Due to climate change, floods are happening more frequent. Rivers overflow during extreme rainstorms and prolonged wet periods. Garage doors are not able to withstand these high-water levels and the market needs a solution.

That is why we introduce our **Flood Barrier** for sectional garage door systems. After extensive testing, DOCO has developed a high-durability sealing system that can hold back water up to **500 mm high** for doors up to **6000 mm wide**.

**New and existing** HOME door systems can be equipped with the Flood Barrier under certain conditions, even when textured panels are installed. The Flood Barrier is a complete kit that can be easily affixed by a door installer.

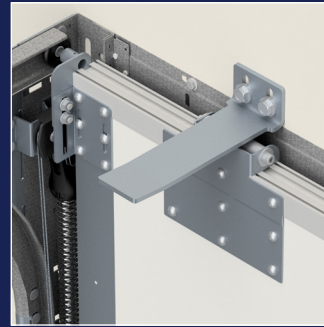
Your garage is **always protected** in case of unexpected heavy rain! Other systems need to be assembled every time a flood is expected, but our Flood Barrier is **watertight after each door closing**.

A special **compression mechanism** at the top panel holds the door firmly in place and a **ground threshold** prevents bending of the bottom panel.



## Water-resistant

Provides a water-resistant seal and can hold back water up to 500 mm high



## Secure and durable

Watertight after each door closing thanks to a special compression mechanism



## Strong and steady

A ground threshold prevents bending of the bottom panel



Visit our website  
for more  
information

**DOCO International B.V.**  
Nusterweg 96  
6136 KV Sittard  
The Netherlands

+31 (0)46 420 06 66  
info@doco-international.com  
www.doco-international.com

A company of the SOMMER Group

**SOMMER**  
Group