

235104

Home HOME-REN lintel side connection bracket



Unit	Piece
Box	200
Pallet	9000
Weight (kg)	0.07

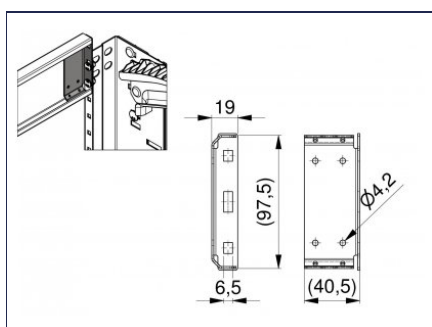
Product description

Connection plate for mounting the lintel profile to the vertical angle.
Suitable for 100 mm lintel profiles 23400-23405.

Application: HOME-X & HOME-R.

Material: Zinc plated steel.

Use screw 150106 to mount bracket 235104 to profile 23400-3000 or 23400-6000.



Product information

This information is subject to change. Check our website for updates. This document was generated on 2021-05-16 14:14 GMT...