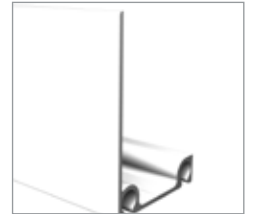




Innovations





INNOVATIVE Silent Roller Carrier:

- Article 25239
- Universal design.
- Strong steel outside design with a plastic silent core insert.
- Excellent sliding properties
- Inter-changeable with all standard roller carriers, eg 25234, 25334 ,25634 ,25734 , 25736 , 25052, 25057
- Perfect in combination with Silent Roller 25229

Innovative Silent Roller for residential use :

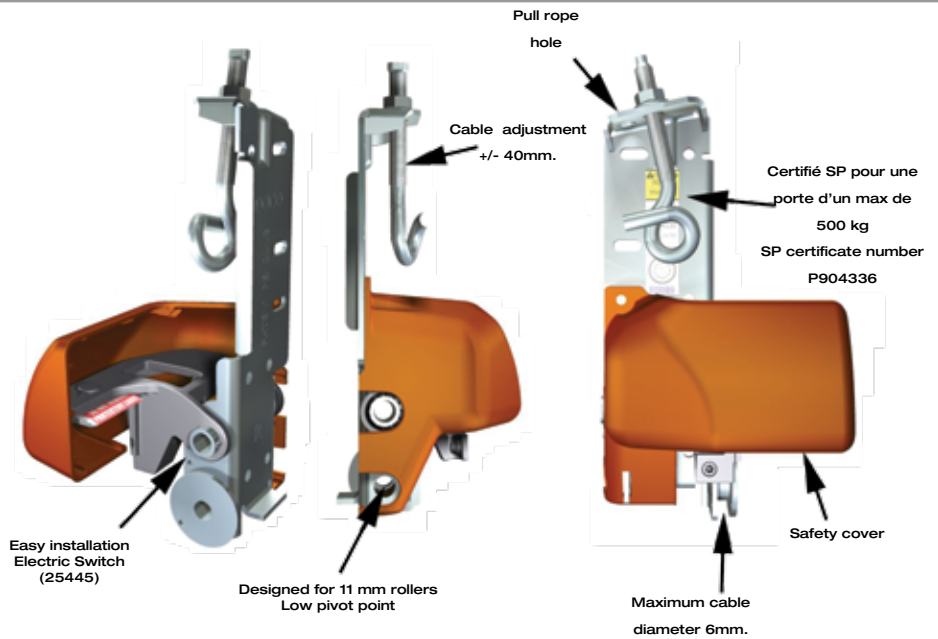
- Article 25229
- Reduce operating noise up to 15 Decibels
- Roller material made out polyurethane (like the material of skates)
- Max. Load = 25kg / piece
- Suitable for use with finger guard 25700
- First introduced in INFO-SHEET 2009-2

Cable Break device 25 455

Pull rope hole

Cable Break Device 25455 Why is the 25455 BETTER than the 25453

- Patented construction for standard and low headroom applications; No catching in curve area!
- Stable E switch mounting (not into safety cover)
- Simple blade attachment.
- Also suitable for 6mm cable.
- Do not remove protective label



Spring Filler Ø 95

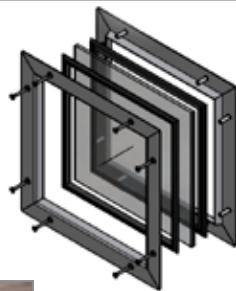
Features:

- Use for Ø95 mm springs
- For Ø25,4 mm shaft.
- Low noise
- Easy Fitting
- "Tube" article => 30006 (lg=3000 mm)
- "Stopper" article => 30007

Stainless Steel Windows

Square Window (85960):

- Material: AISI 304
- Outside dimension 310x310
- Visible dimension 240x240
- 6mm Safety Glass
- Suitable for 38-42 mm panels
- Manual included + Scourer



RoundWindow (85950):

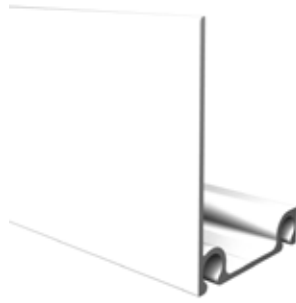
- Material: AISI 304
- Outside dimension Ø330
- Visible dimension Ø260
- 6mm Safety Glass
- Suitable for 38-42 mm panels
- Manual included + Scourer



RAL 9016 Aluminum Bottom Profiles

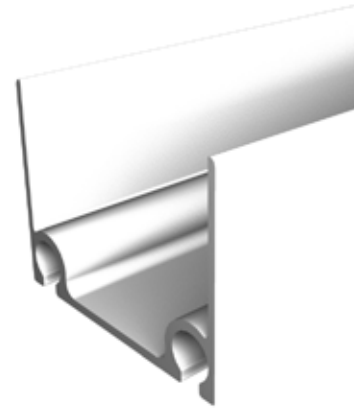
L shape aluminum bottom profile:

- Article 87015-R9016
- Color RAL 9016
- Profile length = 5600mm
- Gloss finish
- Suitable for bottom seals 80019, 80042



U shape aluminum bottom profile:

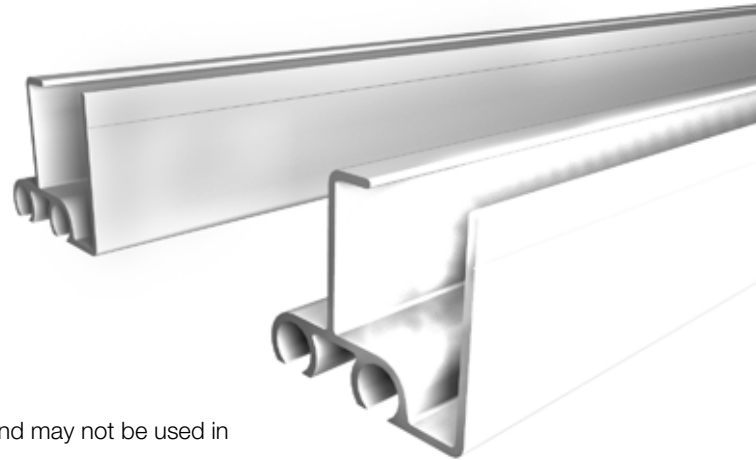
- Article 80141-R9016
- Color RAL 9016
- Profile length = 5600mm
- Gloss finish
- Suitable for bottom seals 80019, 80042 and top seal 80028



Residential Aluminum Bottom Profile

Features:

- "light version" bottom profile in Brut + White version
- Not visible from outside, nice outside view!
- Suitable panels:
- Kingspan
- Metecno
- Thyssen-Krupp
- Marcegaglia
- Tecsedo
- Roper
- Panel 2000
- Costa
- 82001 Brut version lg= 5600 mm
- 82002 RAL 9016 version lg = 5600mm



The content of this document are property of DOCO International b.v. and may not be used in original in parts or as whole. Infringement will lead to compensation and prosecution.

Residential Top roller Hardware

Features 25046-R9016:

- White powder coating
- Adjustable roller carrier
- Adjustable roller
- max load 35kg / piece



Features 25003 R9016:

- White powder coating
- Adjustable roller
- max. load 35kg / piece



Features 25043 R9016:

- White powder coating
- Fixed roller carrier



White Hinges

Features:

- White powder coating
- Suitable panels:
- Kingspan
- Thyssen Krupp
- Sicom
- Technopan
- Costa
- Side hinge 25334-R9016
- Intermediate hinge 25333-R9016



Strengthening Profile

Features:

- New strengthening profile H =81 mm
- For width door > 5000 mm
- ITT approved with our industrial systems! (same bending strength then our current 24701)
- Easier fitting! (better accessible with tools)
- Pre punched holes Ø7 every 500mm
- Safer in use! (by using a slope design)

Product table

Art. nr.	Length	Nr. of holes
22010	4690	20
22011	5190	22
22012	5690	24
22013	6190	26
22014	6690	28
22015	7190	30
22016	7690	32



Residential Bottom brackets

25051 / 25051-R9016 (white)

- Rear spring system
- "new"25029"
- Also available in white RAL 9016

25052 / 25052-R9016 (white)

- Rear spring system
- Panel pre-assembly possible
- Also available in white RAL 9016

25056 / 25056-R9016 (white)

- Front spring system
- Special T- fixation
- Also available in white RAL 9016

25057 / 25057-R9016 (white)

- Front spring system
- Special T- fixation
- Panel pre- assembly possible
- Also available in white RAL 9016



25051-R9016



25056-R9016



25052-R9016



25057-R9016

Steel Pulley's

Features Ø70 pulley :

- Article 25273
- Complete steel design.
- Designed for 3mm cable (cable running surface Ø60)
- Chrome steel Bearing type 6200ZZ
- max. load conform Door standards (EN/12604) = 83 kg/pulley cable load limitation!
- max. static load = 2300N
- max. dynamic load = 5000N

Features Ø84 pulley :

- Article 25272
- Complete steel design
- Designed for 4mm cable (cable running surface Ø72)
- Chrome steel Bearing type 6200ZZ
- max. load conform Door standards (EN/12604) = 148 kg/pulley cable load limitation!
- max. static load = 2300N
- max. dynamic load = 5000N



Doco International B.V.
Nusterweg 96
6136 KV Sittard
P.O. Box 427
6130 AK Sittard
The Netherlands
Tel: +31 (0) 464200666
Fax: +31 (0) 464526894

Doco International Limited
Unit 1 Northolt Trading Estate
Belvue Road
Northolt Middlesex
UB5 5QS
United Kingdom
Tel: +44 (0) 20 8839 8587
Fax: +44 (0) 20 8842 3661

Doco International
Southern Europe S.L.
P.I. Can Met Sidro
Avenida Generalitat, 55
08530 La Garriga / Barcelona
España / Spain
Tel: +34 9 3 861 28 25
Fax: +34 9 3 871 65 92

Doco International s.r.o.
Prostějov - Kralice na Hané
Háj 352
798 12 Kralice na Hané
Czech Republic
Tel: +420 582 360 100
Fax: +420 582 360 300